



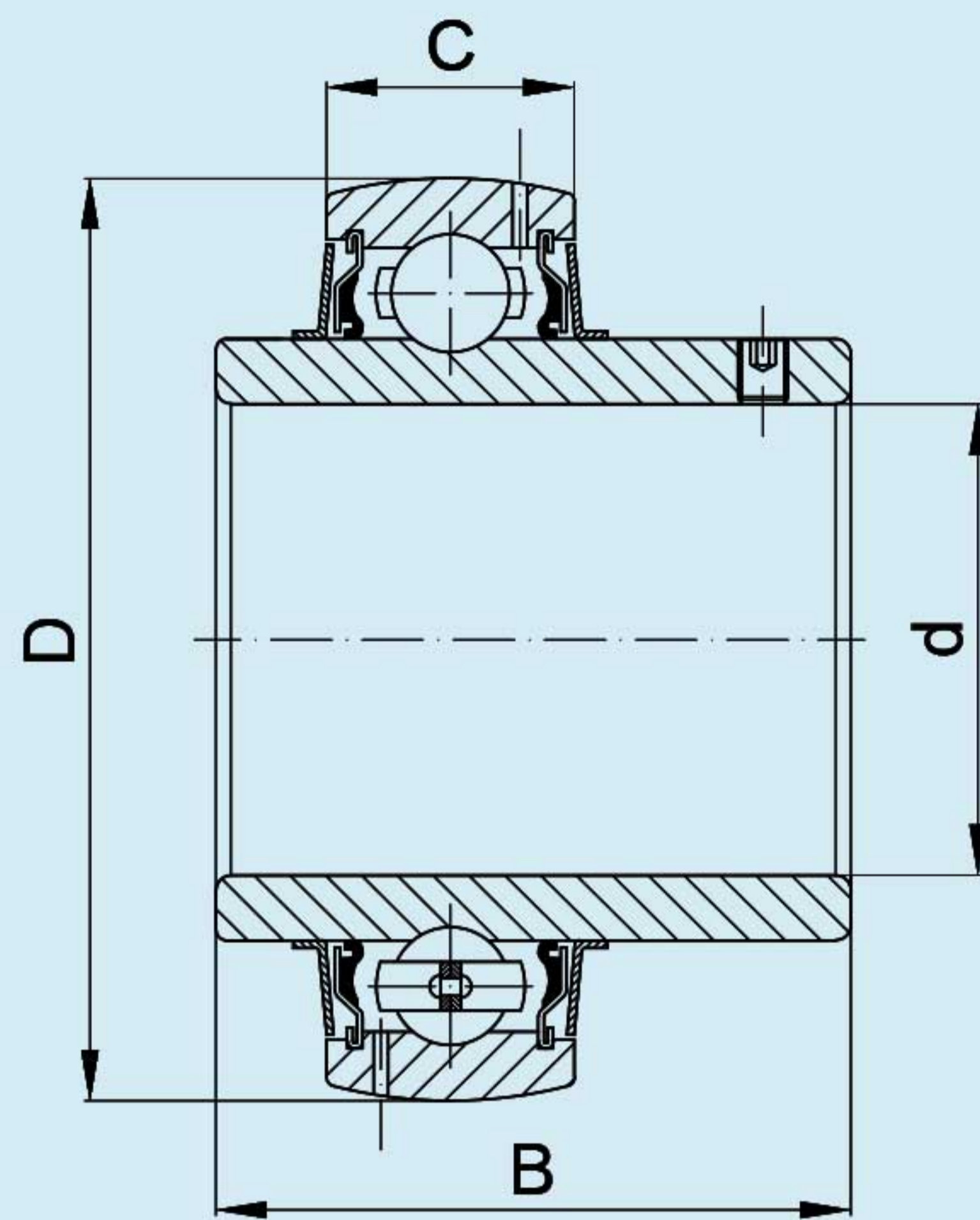
# Zivko & Sinovi

TEMERIN - SERBIA

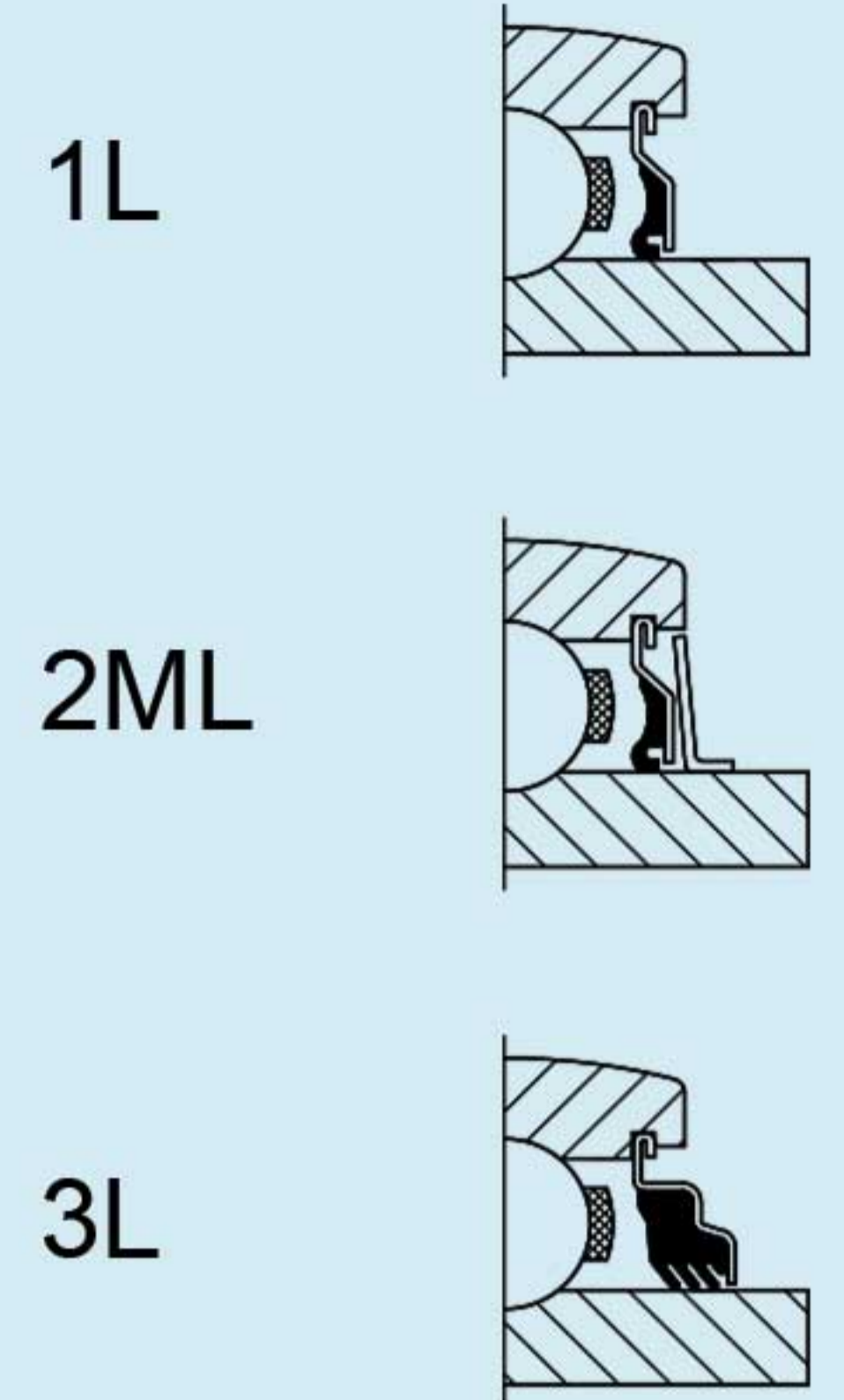
## Insert ball bearings



# • Insert ball bearings



Type of seals:



Z&S	d	D	C	B
UC 201	12	47	17	31
UC 202	15	47	17	31
UC 203	17	47	17	31
UC 204	20	47	17	31
UC 204-013	20,637	47	16	31
UC 205	25	52	17	34,1
UC 305		62	20	38
UC 205-100	25,4	52	15	34,1
UC 206-102	28,575	62	19	38,1
UC 206	30	62	19	38,1
UCX 06		72	20	42,9
UC 306		72	23	43
UC 207-104	31,75	72	19	42,9
UC 207	35	72	20	42,9
UCX07		80	21	49,2
UC 307		80	25	48
UC 208-108	38,1	80	21	49,2
UC 208	40	80	21	49,2
UC 308		90	23/27	52

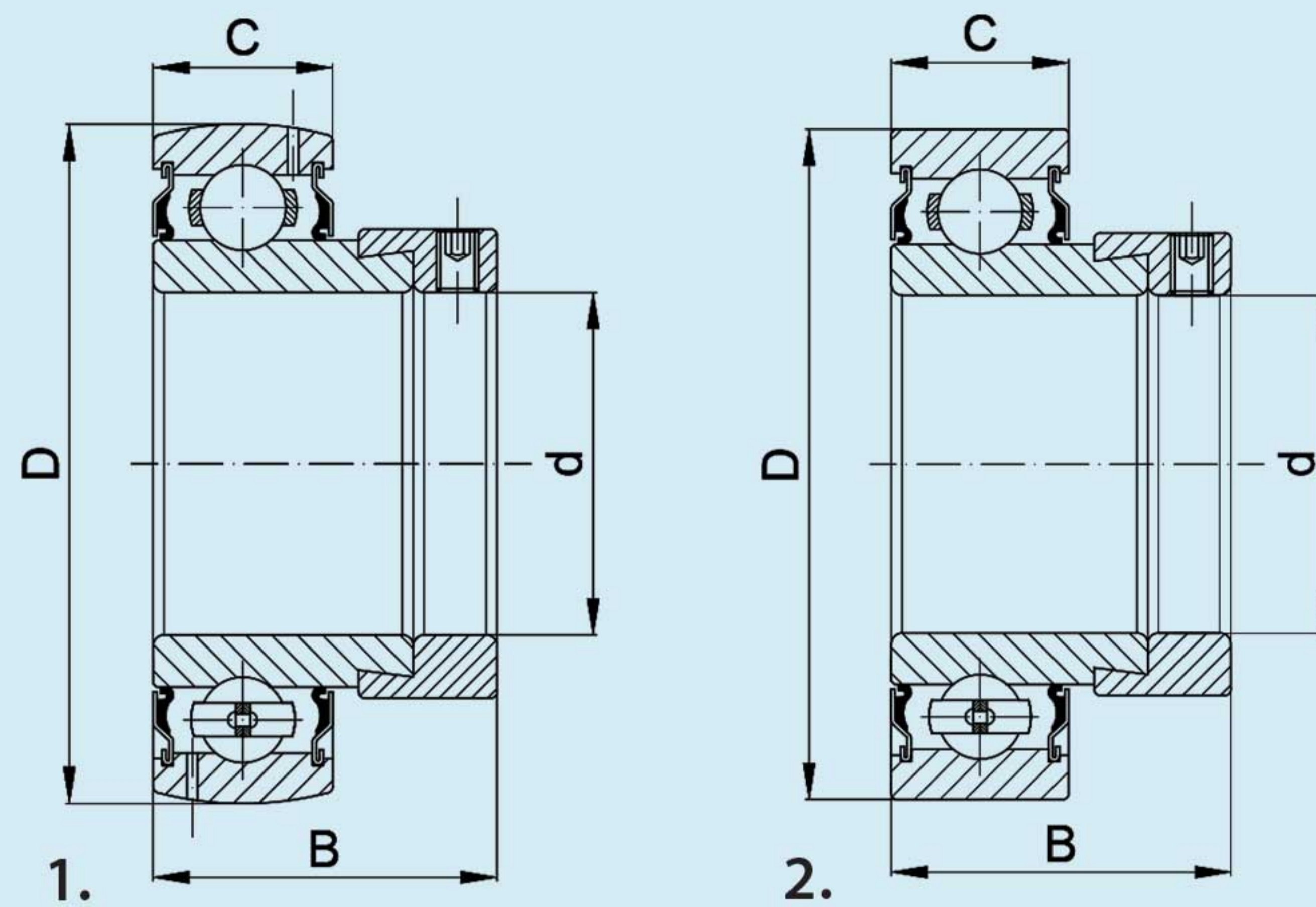
Z&S	d	D	C	B
UC 209	45	85	22	49,2
UC 309		100	30	57
UC 210-115	49,213	90	22	51,6
UC 210	50	90	24	51,6
UCX10		100	25	55,3
UC 310		110	32	61
UC 210-200	50,8	90	22	51,6
UC 211	55	100	25	55,6
UC 311		120	34	66
UC 212	60	110	27	65,1
UC 212-207	61,913	110	27	65,1
UC 213	65	120	28	65,1
UC 214	70	125	28	69,9
UC 215-215	74,613	130	30	77,8
UC 215	75	130	32	77,8
UC 215-300	76,2	130	30	77,8
UC 216	80	140	30	82,6

Z&S

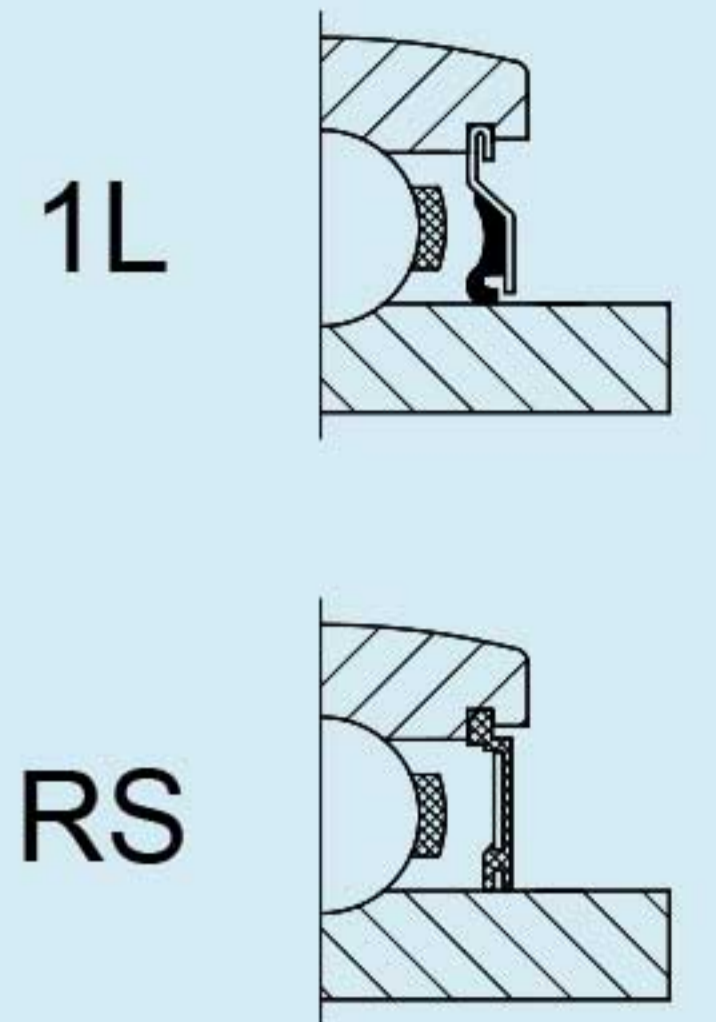
INTERCHANGE

UC -	GYE...KRR-B (INA-FAG)	-inch series
	GY...KRR-B (INA-FAG)	
	UC... (TIMKEN)	
	YAR... (SKF)	
	UC... (NTN-SNR)	

# • Insert ball bearings



Type of seals:

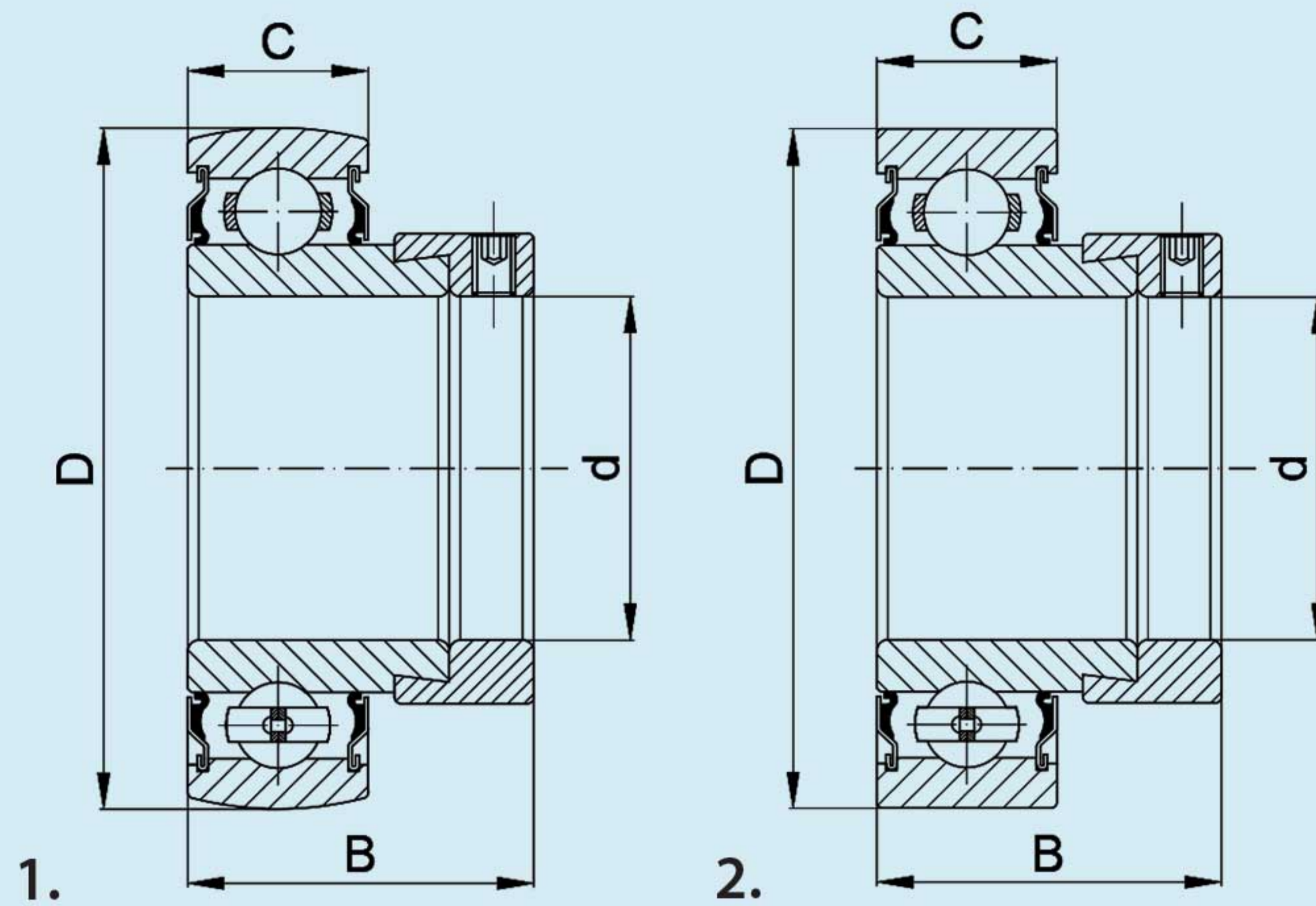


Z&S	d	D	C	B	Dwg. No.
UY 204-012	19,05	47	14	31	1
RALE 20 NPPB	20	42	12	24,5	1
UY 204		47	14	31	1
UY 205-014	22,225	52	15	31	1
UY 205	25	52	15	31	1
CUY 205		52	15	31	2
UY 205-100	25,4	52	15	31	1
UY 206-101	26,9875	62	18	36	1
UY 206-102	28,575	62	18	36	1
CUY 206	30	62	18	36	2
UY 206		62	18	36	1
UY 206-103	30,16	62	19	35,72	2
UY 206-104	31,75	62	18	36	1
UY 207-104		72	19	39	1
UY 207-106	34,925	72	19	39	1
CUY 207	35	72	19	39	2
UY 207		72	19	39	1
UY 208-108	38,1	80	21	44	1
CUY 208-108		80	21	44	2
UY 208	40	80	21	44	1
CUY 208		80	21	44	2
UY 209-112	44,45	85	22	43,7	1
UY 209	45	85	22	44	1
UY 210	50	90	22	44	1
UY 211	55	100	25	32,5	1
UY 212	60	110	26	53,5	1

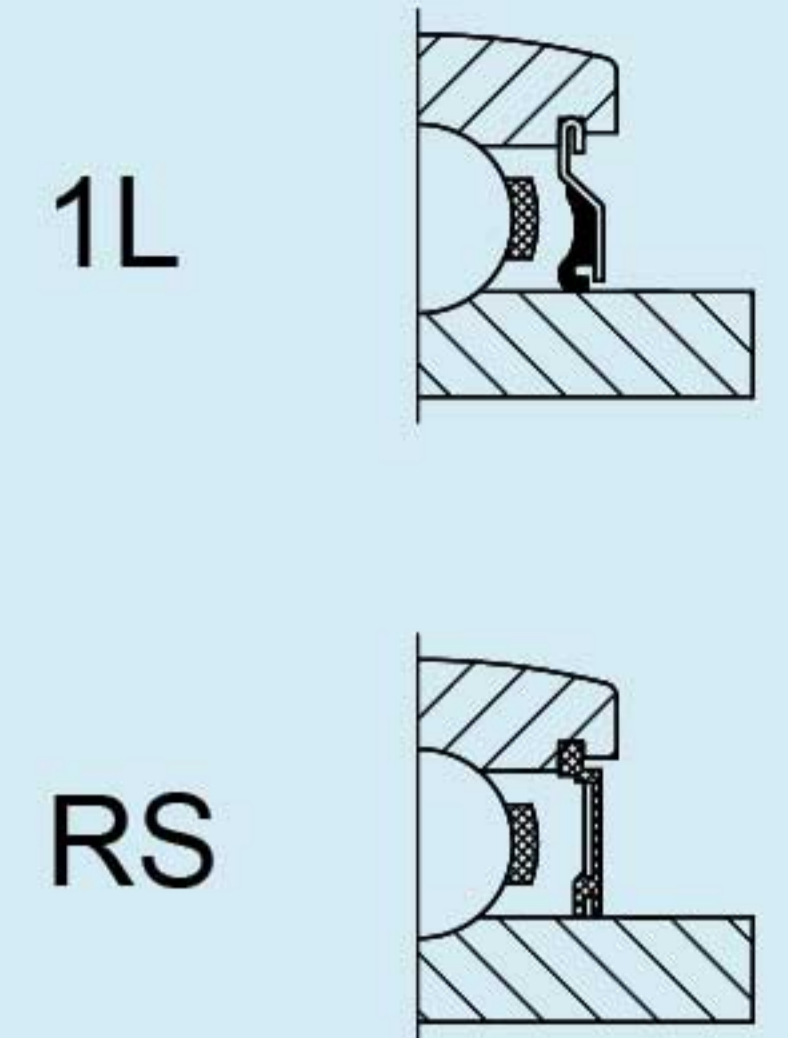
Z&S	INTERCHANGE
UY -	GRAE...NPP-B (INA-FAG)
	RALE...NPP-B (INA-FAG)
	GRAE...RRB (TIMKEN)
	YET... (SKF)
	AEL... (NTN-SNR)

Z&S	INTERCHANGE
CUY -	RAE...NPP (INA-FAG)
	RAE...RR (TIMKEN)
	AELS... (NTN-SNR)

# • Insert ball bearings



Type of seals:



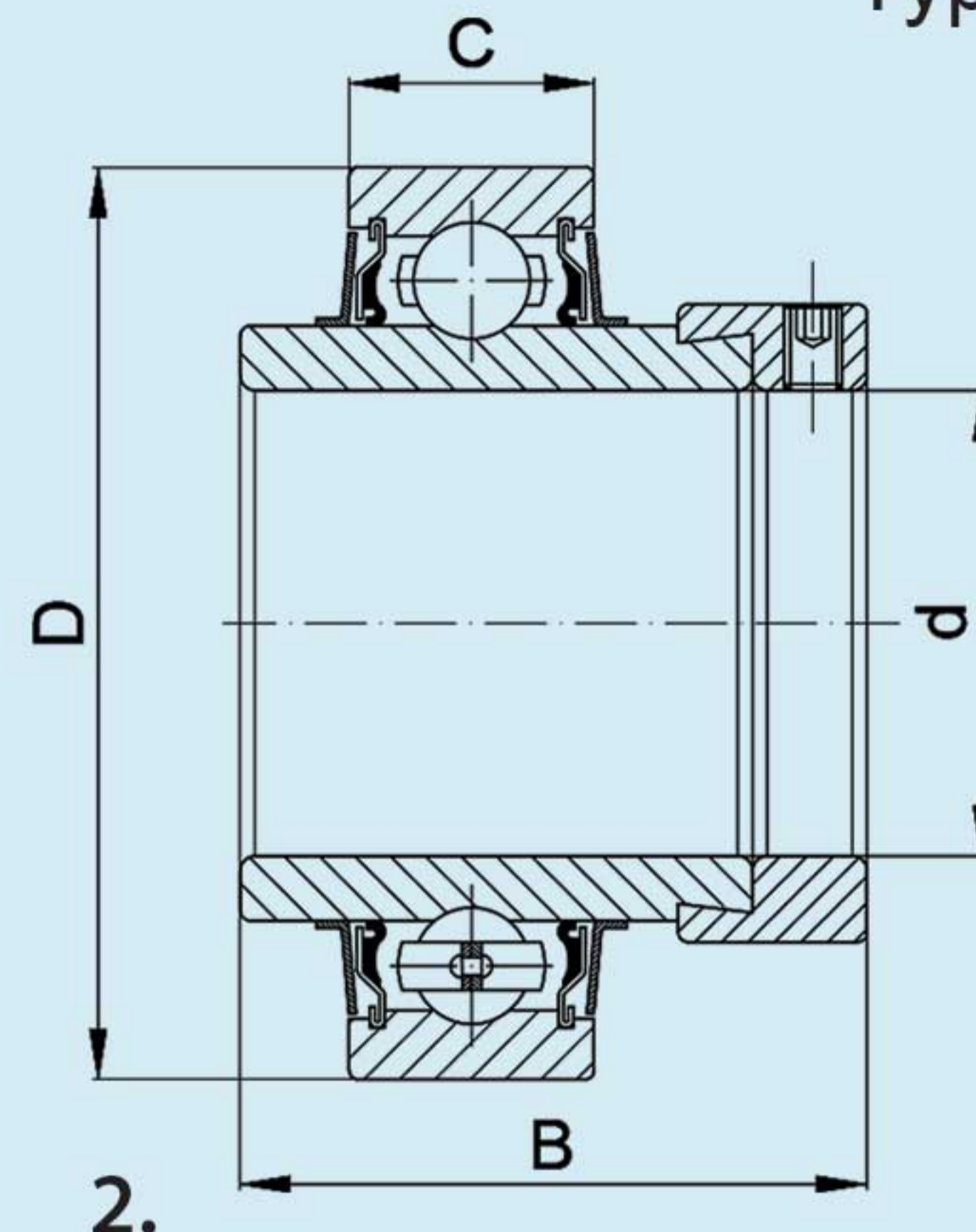
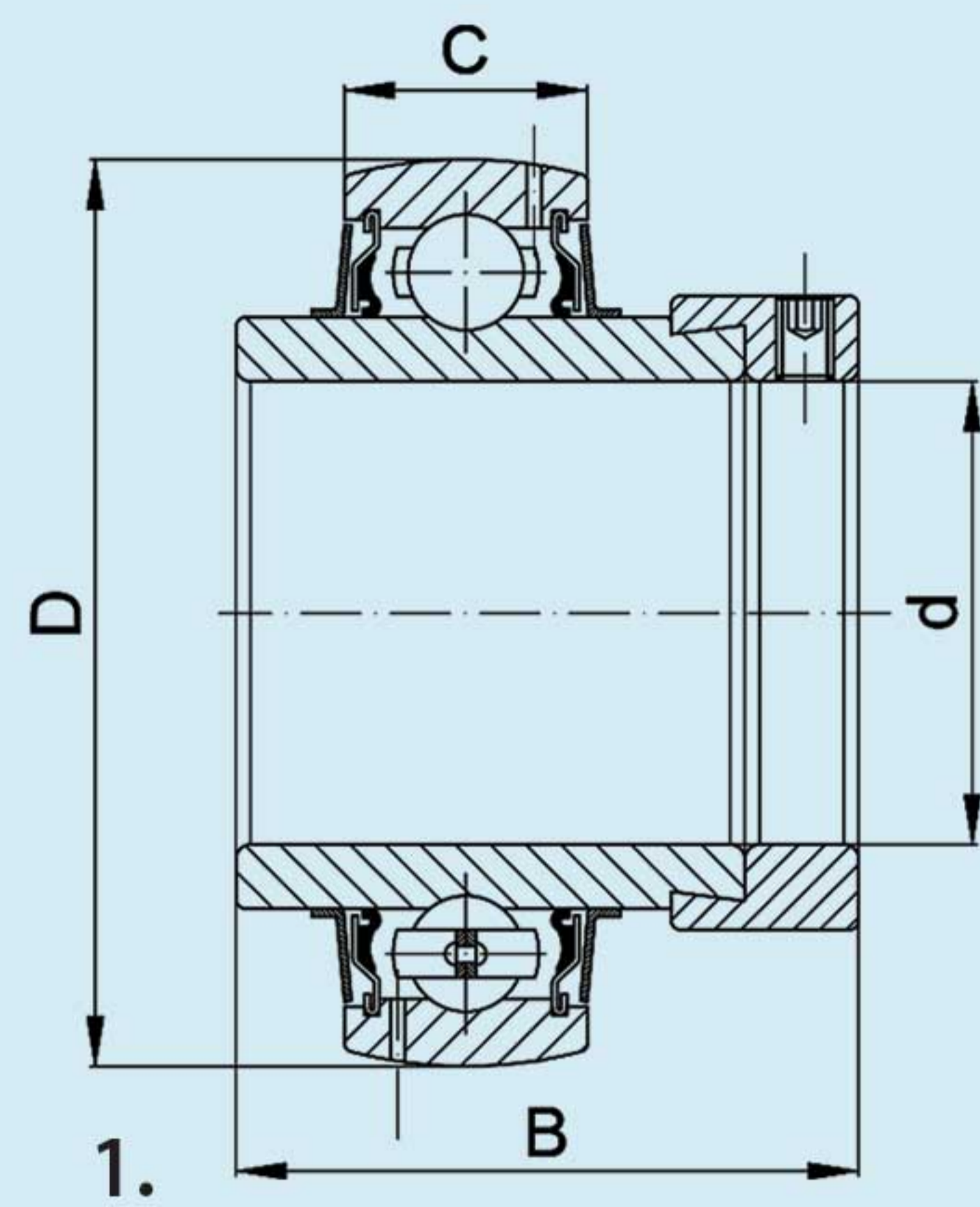
Z&S	d	D	C	B	Dwg. No.
SA 201-8	12,7	40	12	28,6	1
SA 202	15	40	12	28,6	1
SA 104-12	19,05	42	12	25	1
SA 204-12		47	14	31	1
SA 205-15	23,8125	52	15	31	1
CSA 206-18	28,575	62	18	36	2
CSA 206	30	62	18	36	2
SA 206	30	62	16	36	1
SA 207-21	33,3375	72	17	39,1	1
CSA 207	35	72	19	39	2
CSA 208	40	80	21	44	2
SA 209-26	41,275	85	19	43,7	1
SA 209-28	44,45	85	22	43,4	1
SA 210-31	49,2125	90	20	43,7	1
SA 210-32	50,8	90	20	43,7	1
SA 211-32		100	21	48,4	1
SA 211	55	100	21	48	1
SA 211-35	55,5625	100	21	48,4	1

Z&S	INTERCHANGE **
SA -	GRAE...NPP-B (INA-FAG)
	RALE...NPP-B (INA-FAG)
	GRAE...RRB (TIMKEN)
	YET... (SKF)
	AEL... (NTN-SNR)

Z&S	INTERCHANGE **
CUY -	RAE...NPP (INA-FAG)
	RAE...RR (TIMKEN)
	AELS... (NTN-SNR)

\*\* Some dimensions may not fully fit compared with others bearing manufacturer, but the design is the same.

# • Insert ball bearings



Type of seals:

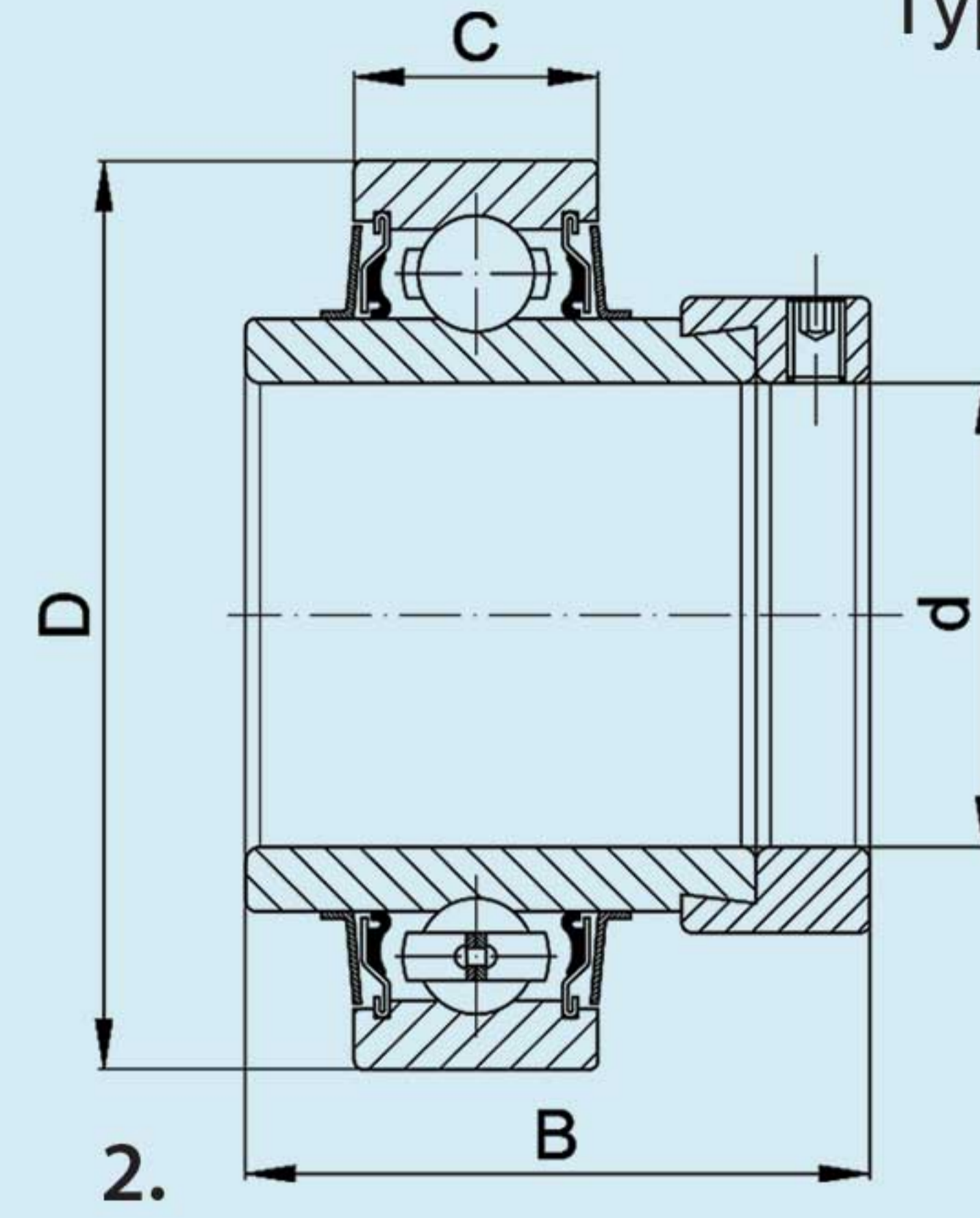
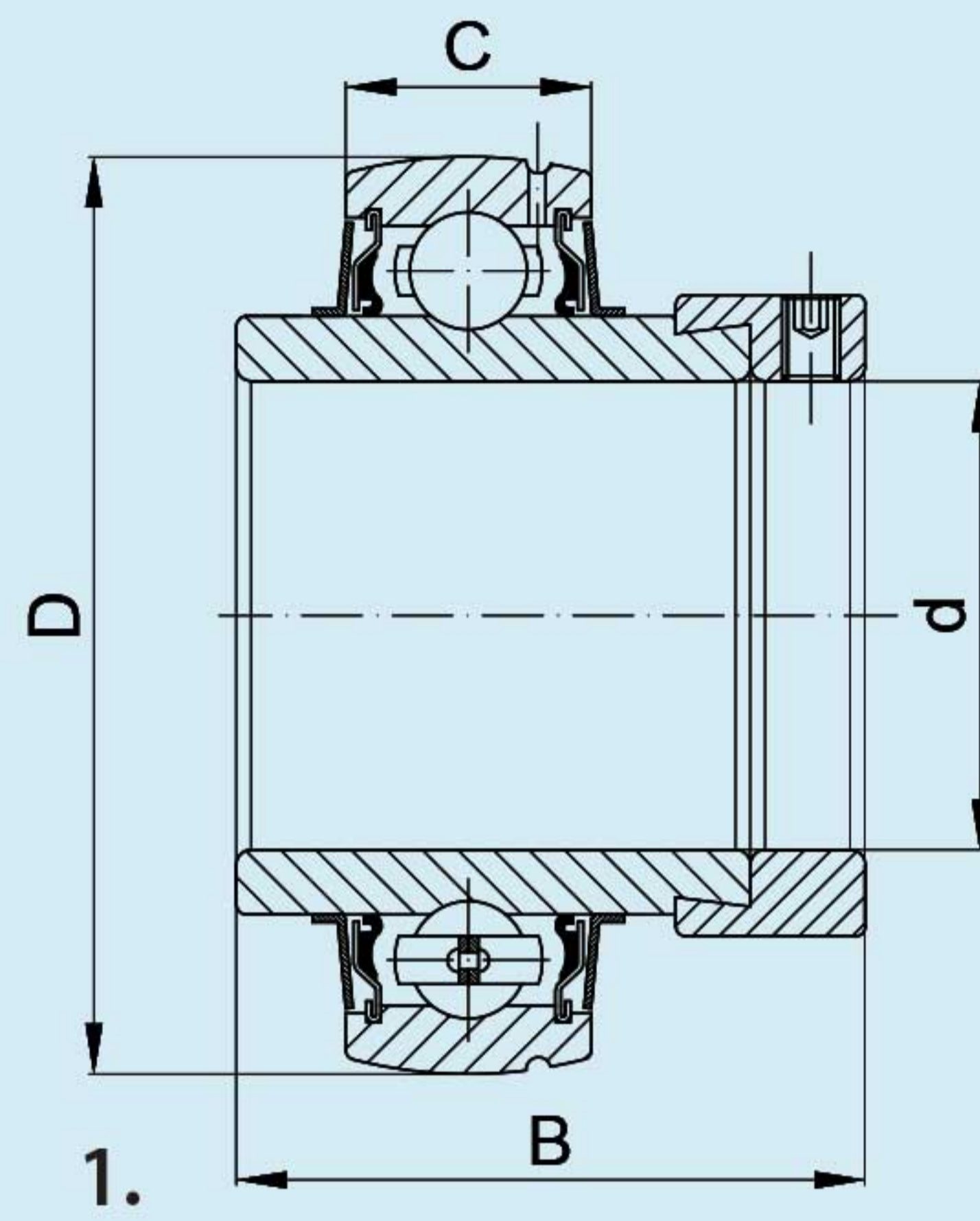


Z&S	d	D	C	B	Dwg. No.
LY 204	20	47	14	44	1
LY 205	25	52	15	44,4	1
LY 205-100	25,4	52	15	44,4	1
LY 206-101	26,988	62	18	48,4	1
LY 206-102	28,575	62	18	48,4	1
LY 206	30	62	18	48,4	1
LY 306		72	22	50,2	1
LY 206-104	31,75	62	18	48,4	1
LY 207-104		72	19	51,1	1
LY 207-106	34,925	72	19	51,2	1
CLY 207-106		72	19	51,2	2
LY 207	35	72	19	51,1	1
LY 207-107	36,512	72	19	51,1	1
LY 208-108	38,1	80	21	56,3	1
CLY 208-108		80	21	56,3	2
LY 308-108		90	23	57	1
CLY 308-108		90	23	57	2
LY 208	40	80	21	56,3	1
CLY 208		80	21	56,3	2
LY 308		90	23	57,1	1
LY 209-112	44,45	85	21	56,3	1
LY 209	45	85	22	56,3	1
LY 209		85	22	56,3	1
LY 210	50	90	22	62,7	1
LY 310		110	29	66,75	1
LY 211-200	50,8	100	25	71,4	1
LY 211	55	100	25	71,4	1
LY 212	60	110	26	77,8	1
LY 312		130	33	68,4	1
LY 212-207	61,913	110	26	77,8	1

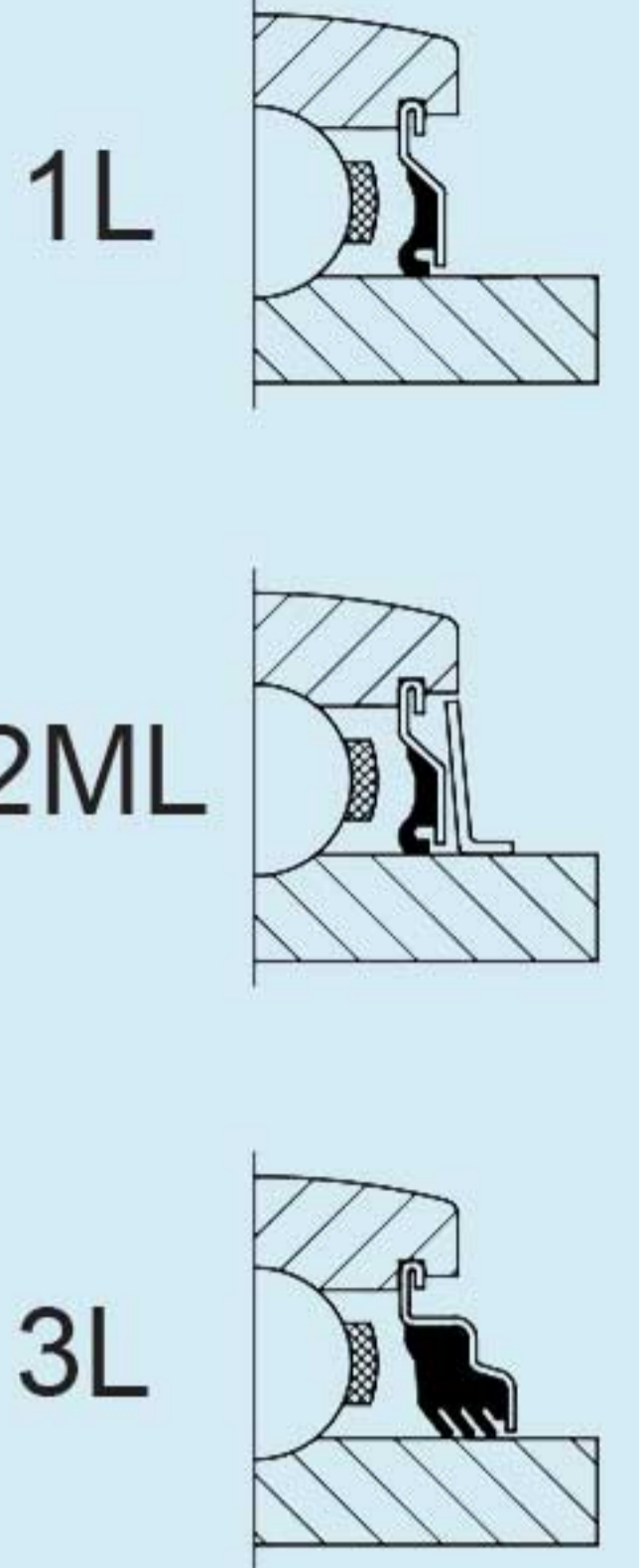
Z&S	INTERCHANGE
LY -	GE...KRR-B (INA-FAG)
	GE...KRRB (TIMKEN)
	YEL... (SKF)
	UEL... (NTN-SNR)

Z&S	INTERCHANGE
CLY -	E...-KRR (INA-FAG)
	GE...KRR (TIMKEN)
	UELS... (NTN-SNR)

# • Insert ball bearings



Type of seal:



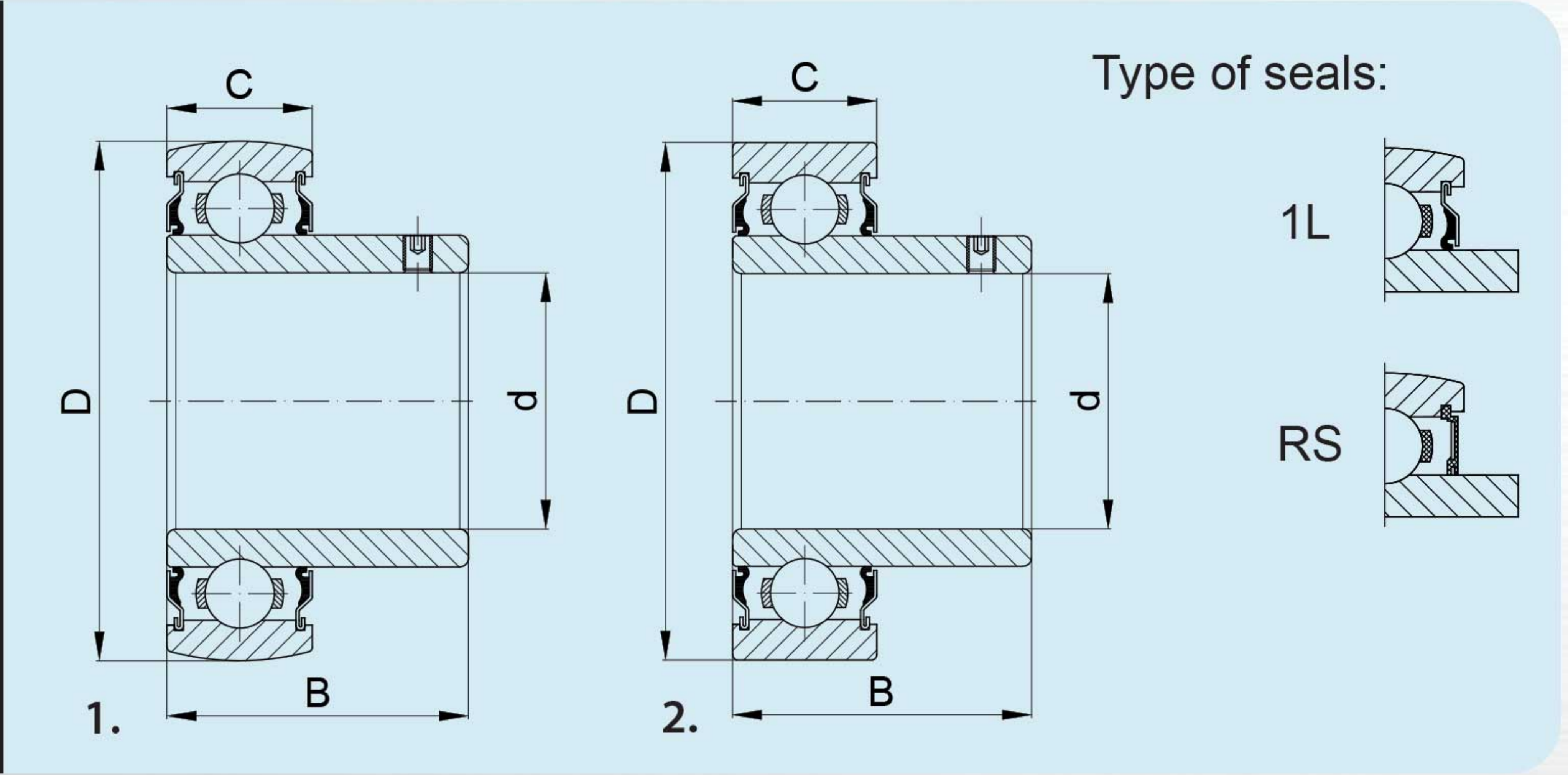
Z&S	d	D	C	B	Dwg. No.
HC 204-12	19,05	47	16	43,5	1
HC 204	20	47	16	44	1
HC 205-15	23,8125	52	17	44,3	1
CHC 205-16	25,4	52	17	44,3	2
HC 206-18	28,575	62	19	48,3	1
HC 206-19	30,1625	62	19	48	1
HC 206-20	31,75	62	19	48,3	1
HC 207-20		72	20	51,3	1
HC 207-21	33,3375	72	20	51,1	1
CHC 208-24	38,1	80	18	56,3	2
HC 209-26	41,275	85	22	56,3	1
HC 209-27	42,8625	85	22	56,3	1
HC 209-28	44,45	85	22	56,4	1
HC 210-30	47,625	90	22	62,7	1
HC 210-31	49,2125	90	22	63	1
HC 210	50	90	22	63	1
HC 210-32	50,8	90	22	63	1
HC 211-35	55,5625	100	25	71,5	1
HC 215-47	74,6125	130	32	92,1	1

Z&S	INTERCHANGE **
HC -	GE...KRR-B (INA-FAG)
	GE...KRRB (TIMKEN)
	YEL... (SKF)
	UEL... (NTN-SNR)

Z&S	INTERCHANGE **
CHC -	E...-KRR (INA-FAG)
	GE...KRR (TIMKEN)
	UELS... (NTN-SNR)

\*\* Some dimensions may not fully fit compared with others bearing manufacturer, but the design is the same.

# • Insert ball bearings

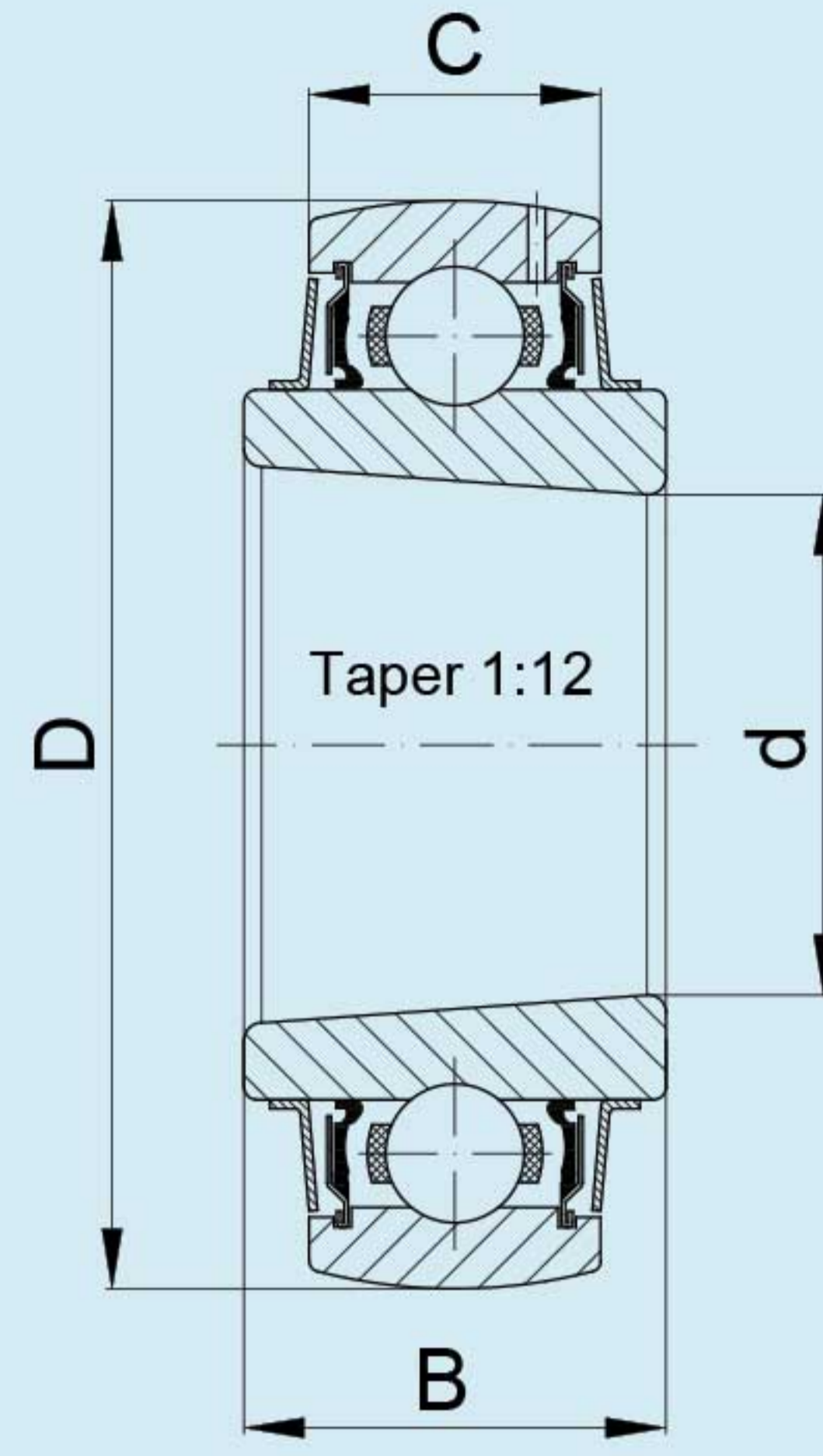


Z&S	d	D	C	B	Dwg. No.
AE 203	17	40	12	22,1	1
AE 204	20	47	14	25,5	1
CAE 204		47	14	25,5	2
AE 205-14	22,225	52	15	27,2	1
AE 205		52	15	27,2	1
CAE 205	25	52	15	27,2	2
AE 205-16	25,4	52	15	27,2	1
AE 206-17	26,9875	62	18	30,2	1
AE 206-18	28,575	62	18	30,2	1
AE 206	30	62	18	30,2	1
CAE 206		62	18	30,2	2
AE 206-19	30,1625	62	18	30,2	1
AE 206-20	31,75	62	18	30,2	1
AE 207-20		72	19	33	1
AE 207	35	72	19	33	1
AE 207-23	36,5125	72	19	33	1
AE 208	40	80	21	36	1
AE 210-30	47,625	90	22	38,8	1
AE 210	50	90	22	38,8	1

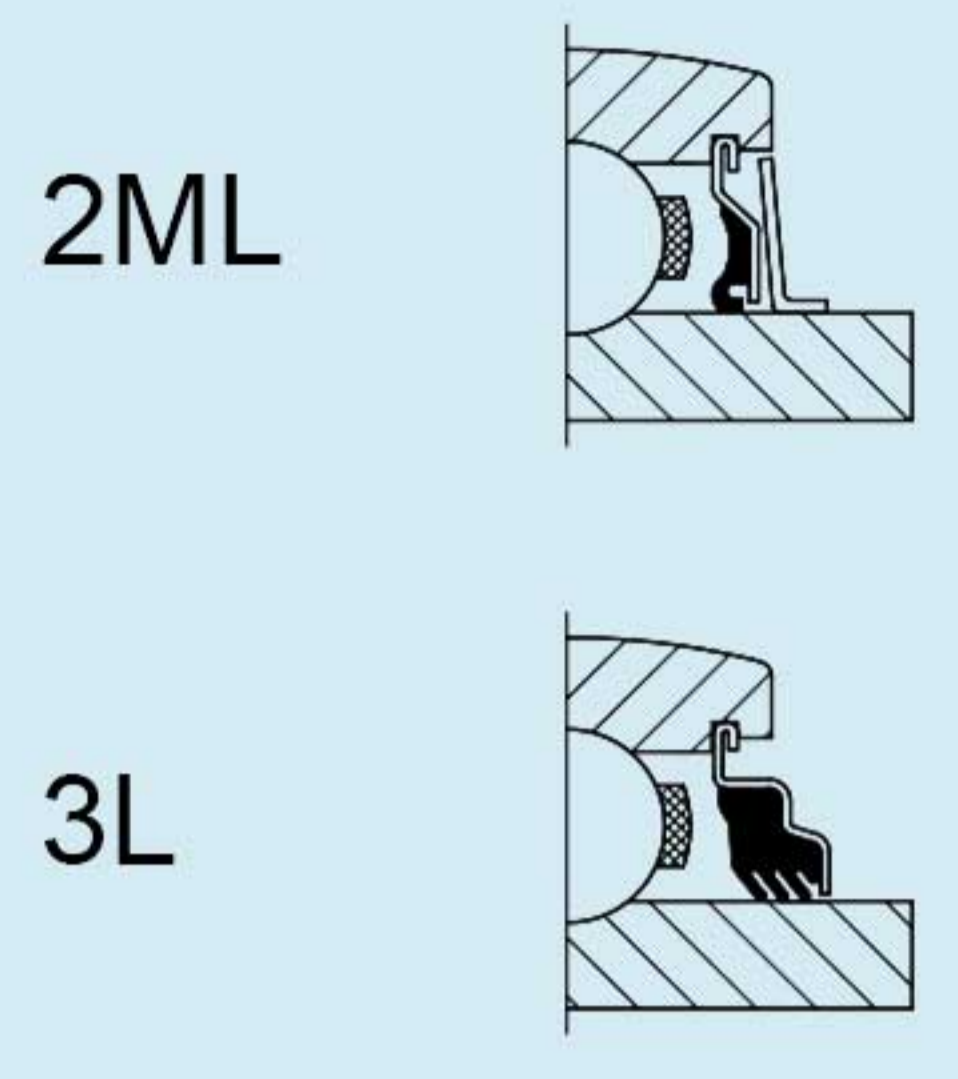
Z&S	INTERCHANGE
AE -	GAY...NPP-B (INA-FAG)
	AY...NPP-B (INA-FAG)
	GYAE...RRB (TIMKEN)
	YAE...RRB (TIMKEN)
	AS... (NTN-SNR)
	US... (NTN-SNR)
	YAT... (SKF)

Z&S	INTERCHANGE
CAE -	AY...NPP (INA-FAG)
	GYAE...RR (TIMKEN)
	YAE...RR (TIMKEN)
	ASS... (NTN-SNR)

# • Insert ball bearings



Type of seals:



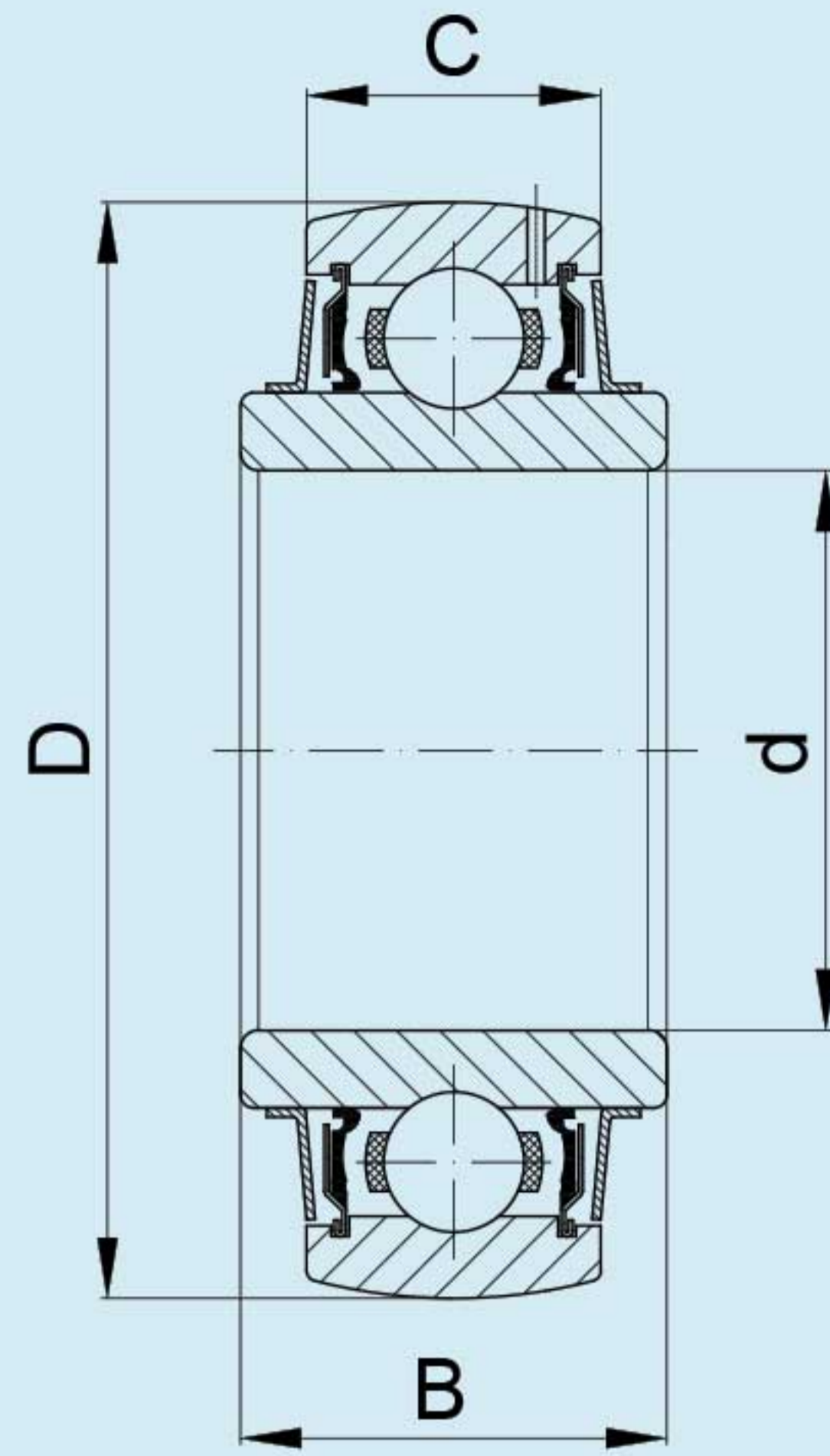
Z&S	d	D	B	C
LK 205	25	52	24	15
LK 206	30	62	28	18
LK 207	35	72	30,5	19
LK 208	40	80	33,9	21
LK 209	45	85	35	22
LK 210	50	90	37	22
LK 211	55	100	40	25
LK 212	60	110	42,5	26
LK 213	65	120	38	28
LK 215	75	130	42	30

Z&S	INTERCHANGE **
LK -	UK... (INA-FAG)
	YSA... (SKF)
	UK... (NTN-SNR)

\*\* Some dimensions may not fully fit compared with others bearing manufacturer, but the design is the same.

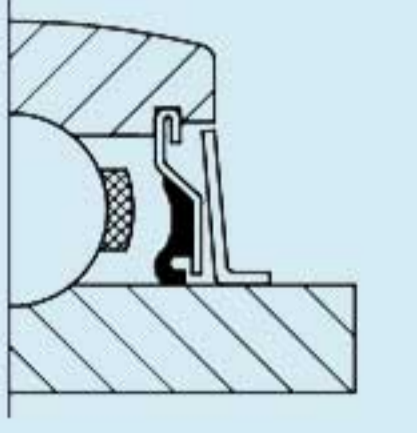


# • Insert ball bearings

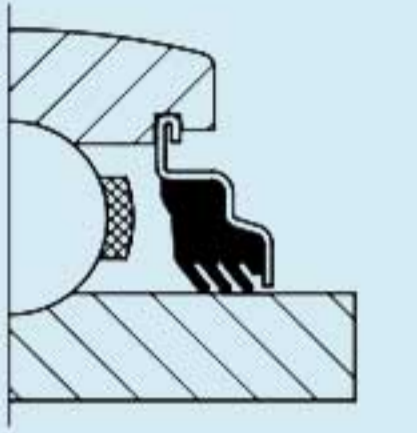


Type of seals:

2ML



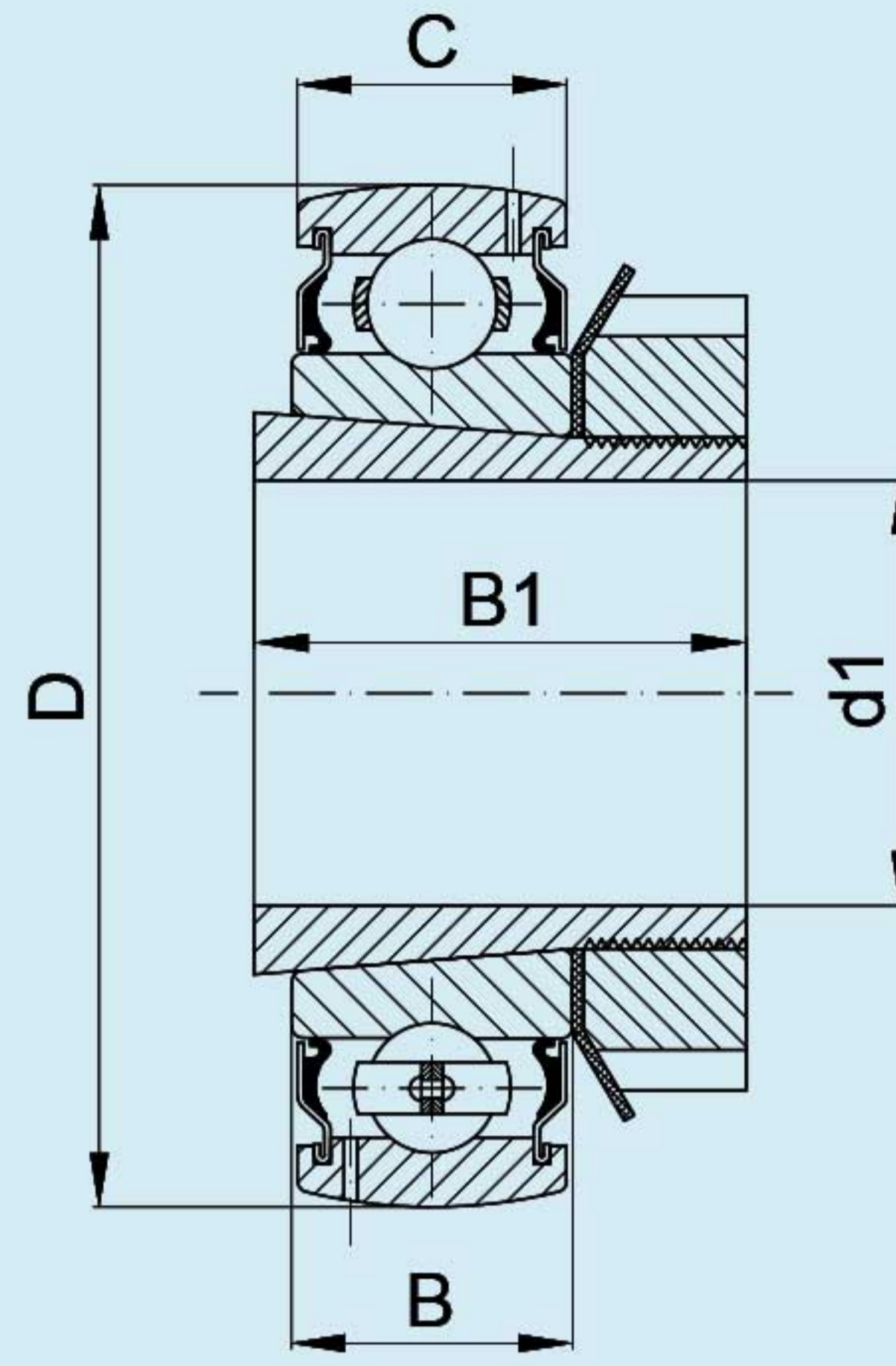
3L



• LS ...

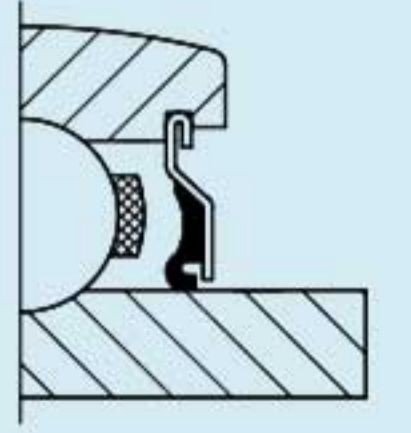
Z&S	d	D	B	C
LS 205	25	52	24	15
LS 206	30	62	28	18
LS 207	35	72	30,5	19
LS 208	40	80	33,9	21
LS 209	45	85	35	22
LS 210	50	90	37	22

# • Insert ball bearings



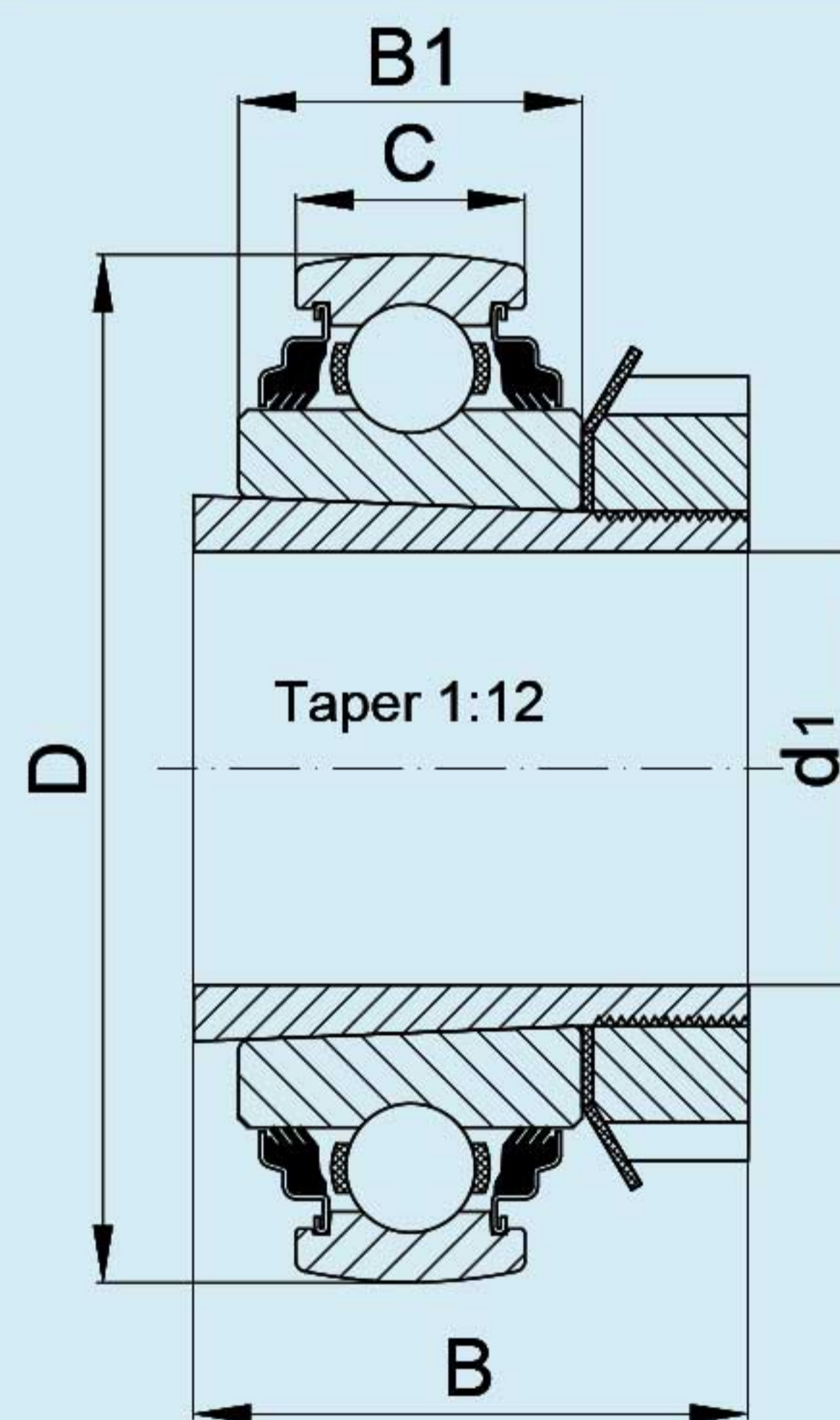
Type of seals:

1L



Z&S	d1	D	C	B	B1
GSH30	30	62	18	18	32
GSH35	35	72	19	19	34
GSH40	40	80	21	21	38

Z&S	INTERCHANGE
GSH -	GSH... (INA-FAG)
	362...(SKF)
	LK... (NTN-SNR)



Type of seals:

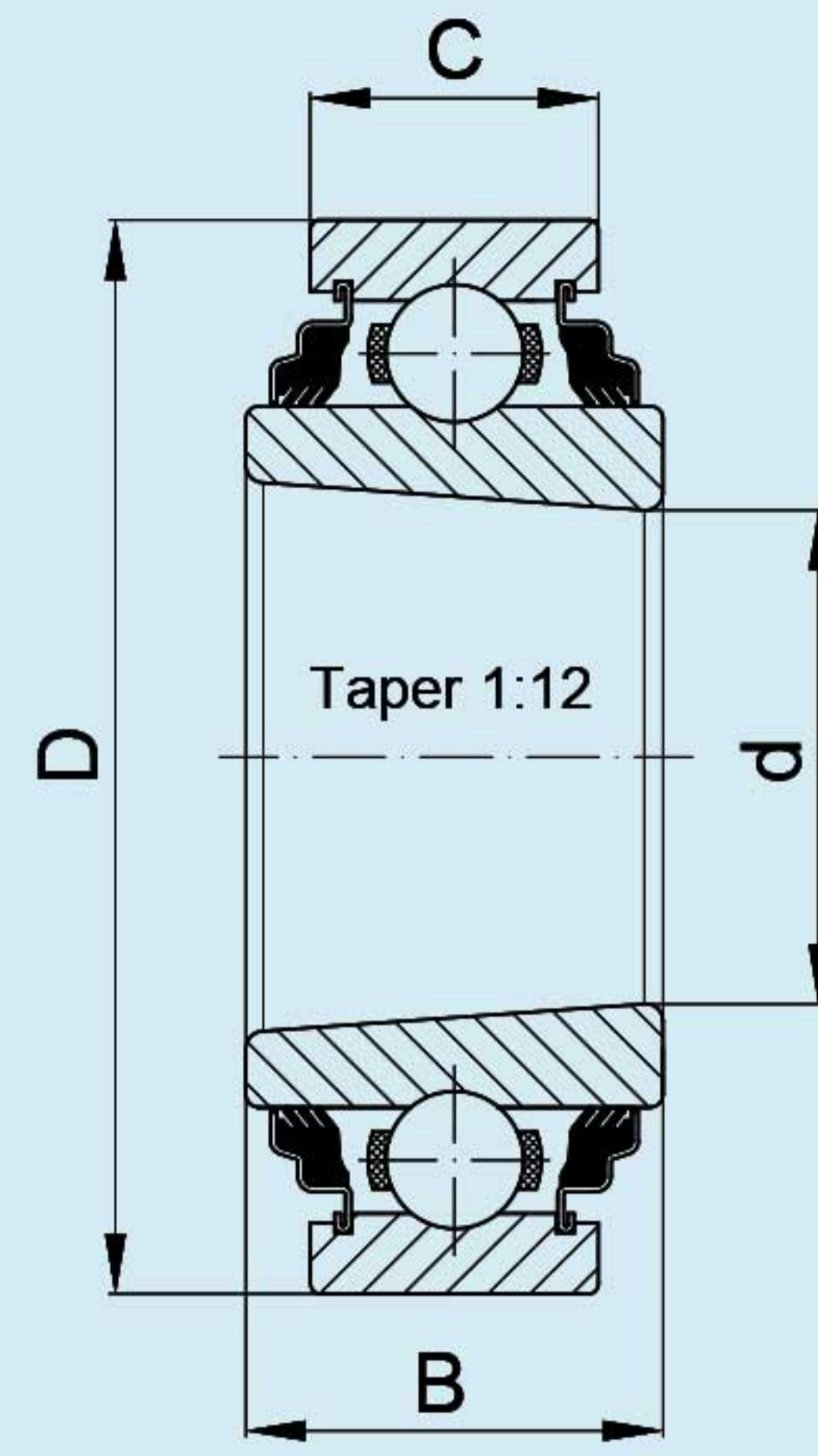
3L



Z&S	d1	D	C	B	B1
SPH210	40	90	20	30	50

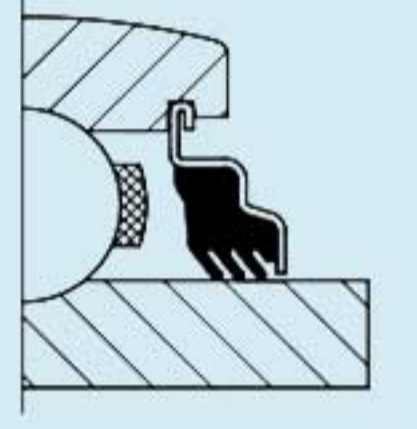
Z&S	INTERCHANGE
SPH -	SPH...KRR-B (INA-FAG)

# • Insert ball bearings



Type of seals:

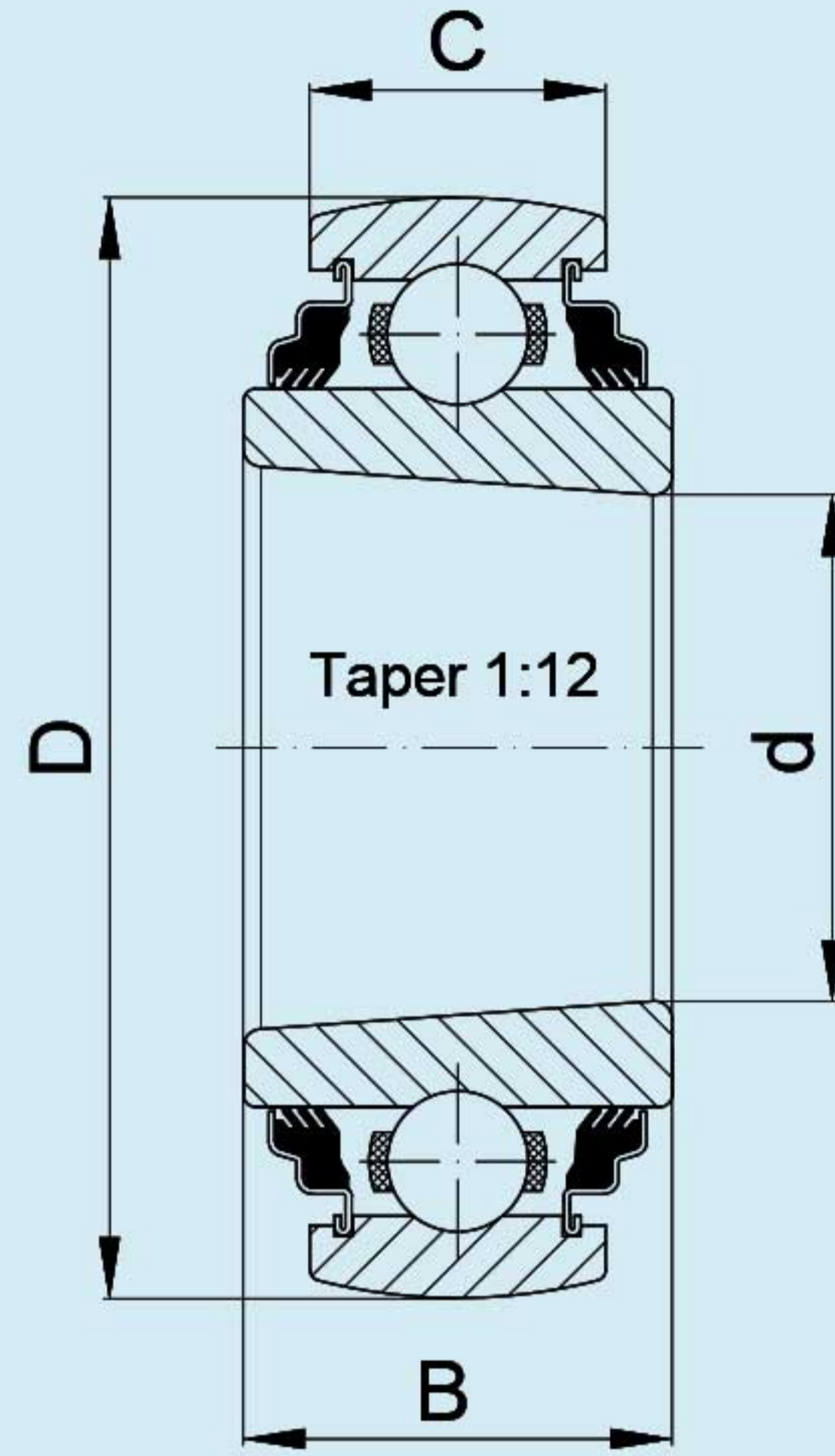
3L



• UKS ...

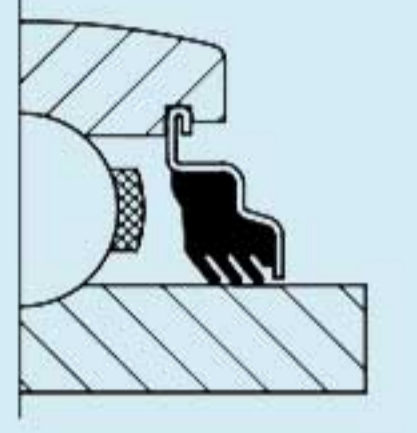
Z&S	d	D	B	C
UKS 209	45	85	29	22
UKS 210 SX1-3	50	90	32	20

# • Insert ball bearings



Type of seals:

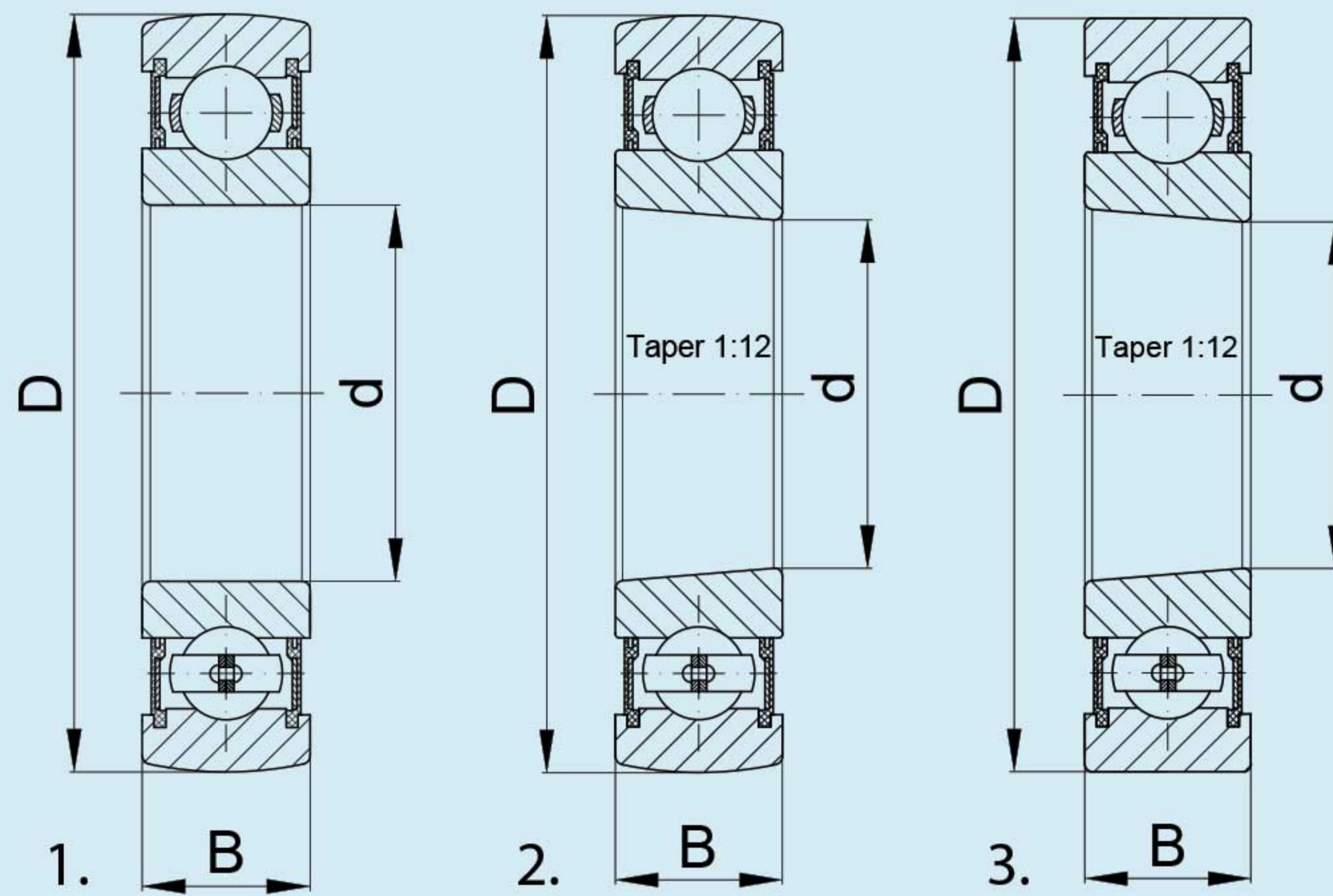
3L



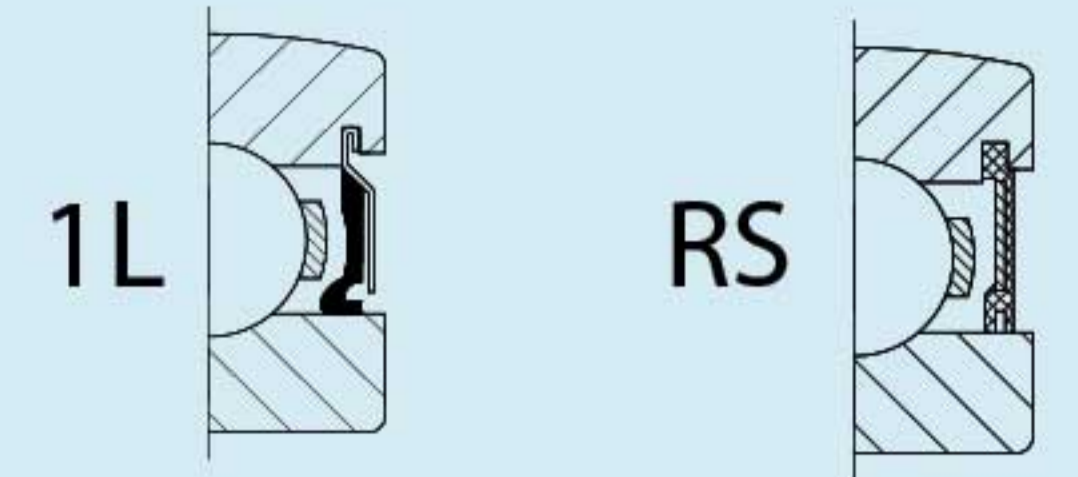
Z&S	d	D	B	C
UKX 08	40	85	31	22
UKX 09	45	90	32	24
UKX 10	50	100	35	25
UKX 11	55	110	38	27

Z&S	INTERCHANGE
UKX -	UKX... (NTN-SNR)

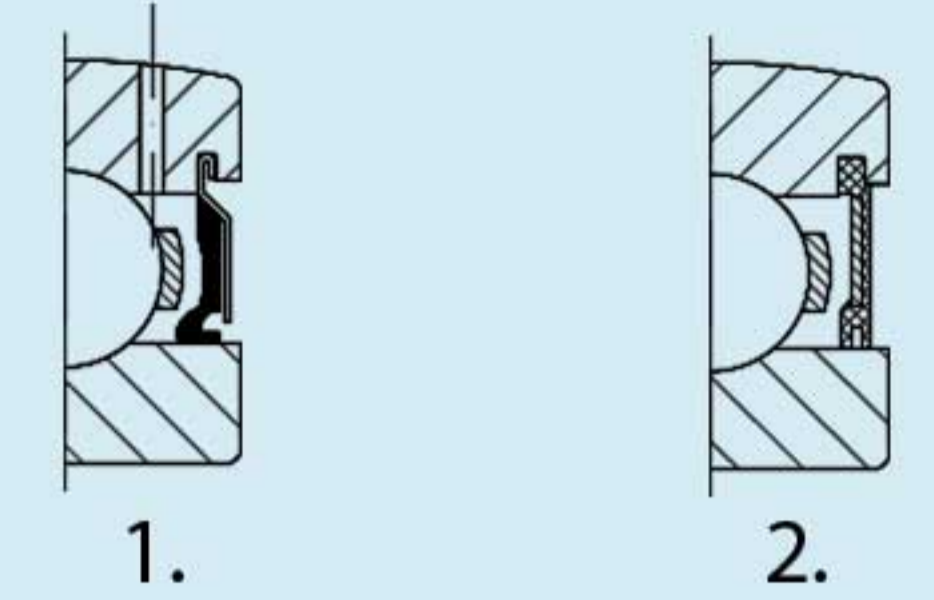
# • Insert ball bearings



Types of seals:



Greasing:



1. With hole only with 1L seal  
2. Without hole with 1L, RS

• EES ..., ESK ..., 6... K

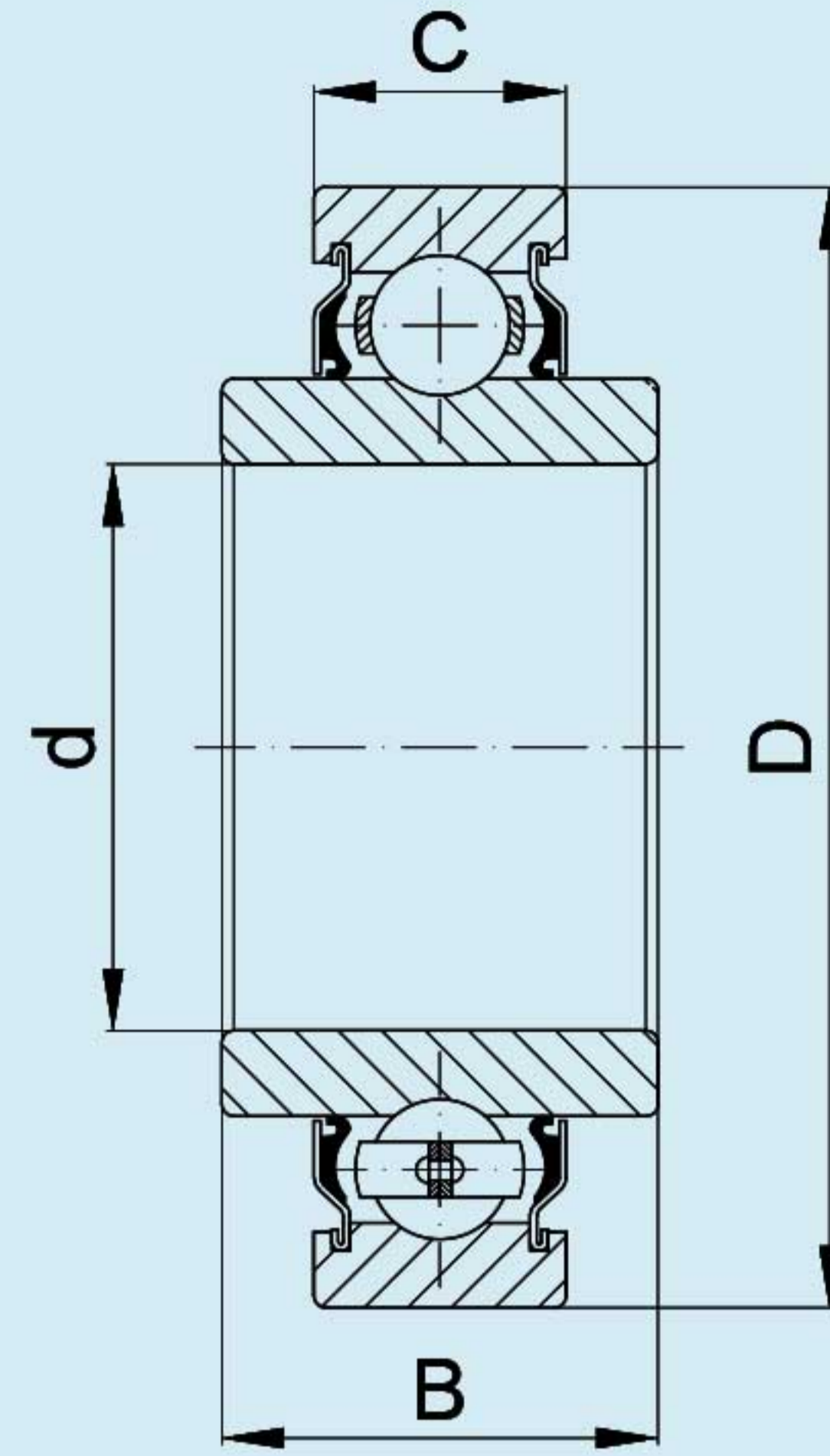
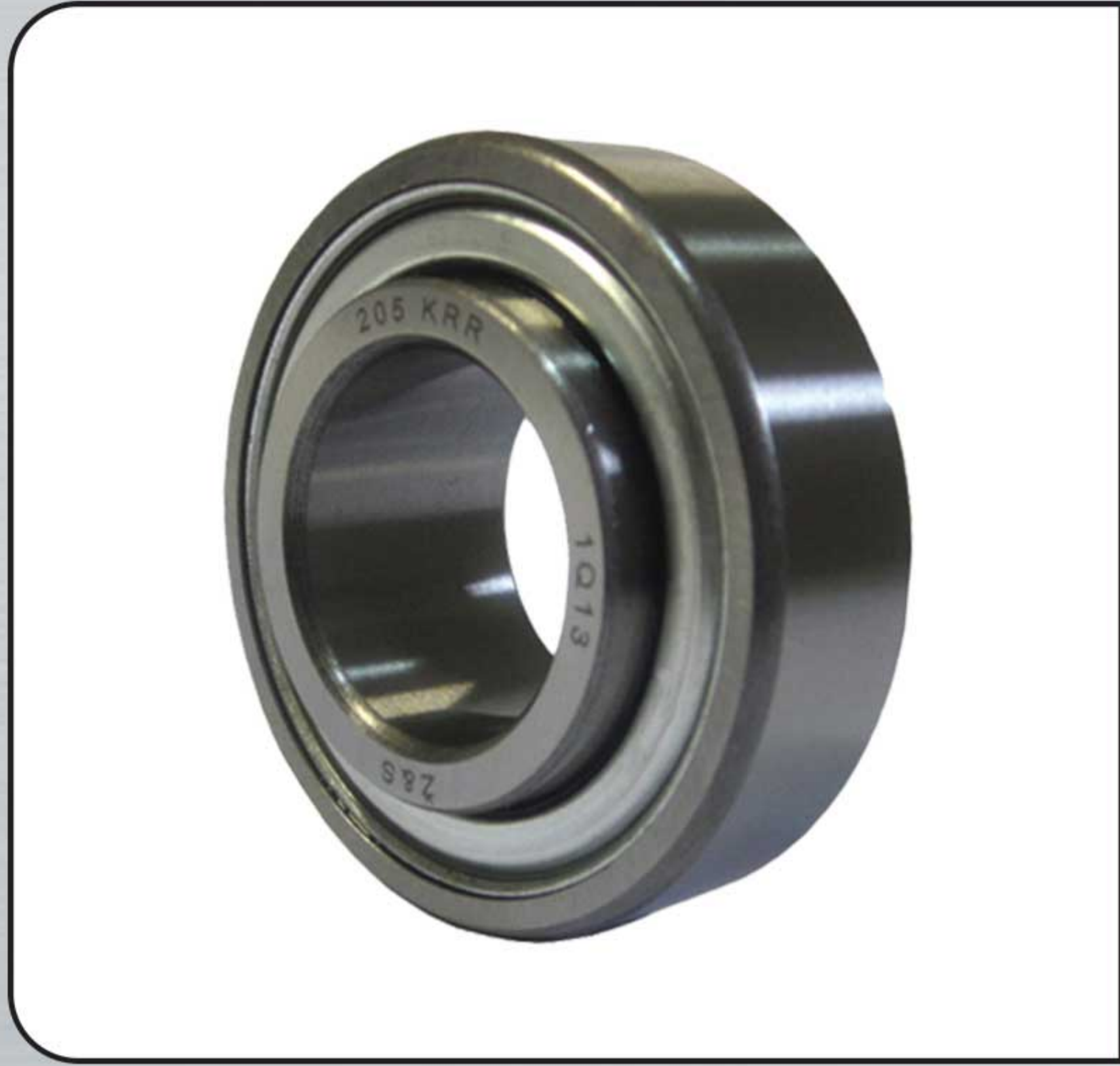
Z&S	d	D2	B	Dwg. No.
EES 203	17	40	12	1
EES 204	20	47	14	1
EES 205	25	52	15	1
EES 206	30	62	16	1
EES 306		72	19	1
EES 207	35	72	17	1
ESK 207		72	17	2
6207 K		72	17	3
EES 208	40	80	18	1
ESK 208		80	18	2
6208 K		80	18	3
EES 308	45	90	23	1
EES 209		85	19	1
6209 K		85	19	3
EES 309	50	100	25	1
EES 210		90	20	1
6210 K		90	20	3
EES 310	55	110	27	1
EES 211		100	21	1
ESK 211	100	21	2	

Z&S	INTERCHANGE
EES -	2..-NPP-B (INA-FAG)
	17262..(SKF)
	CS... (NTN-SNR)

Z&S	INTERCHANGE
ESK -	2..K-NPP-B (INA-FAG)
	17262..K (SKF)
	CS...K (NTN-SNR)

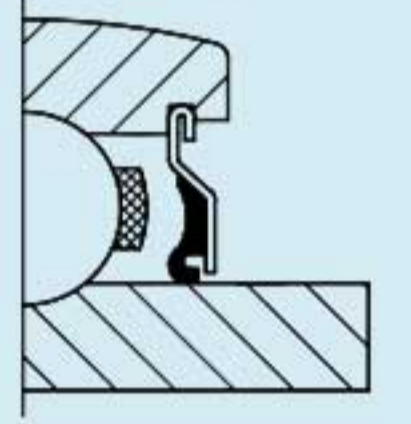
Z&S	INTERCHANGE
62..K -	62..K (INA-FAG)
	62..K (SKF)
	62..K (NTN-SNR)

# • Insert ball bearings

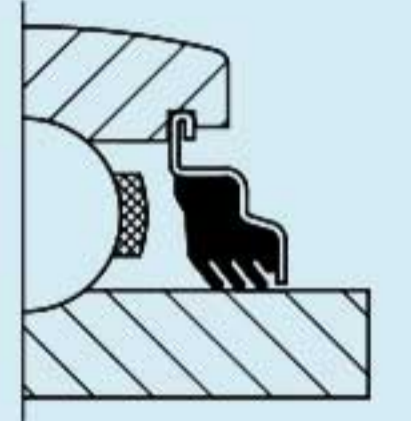


Type of seals:

1L



3L

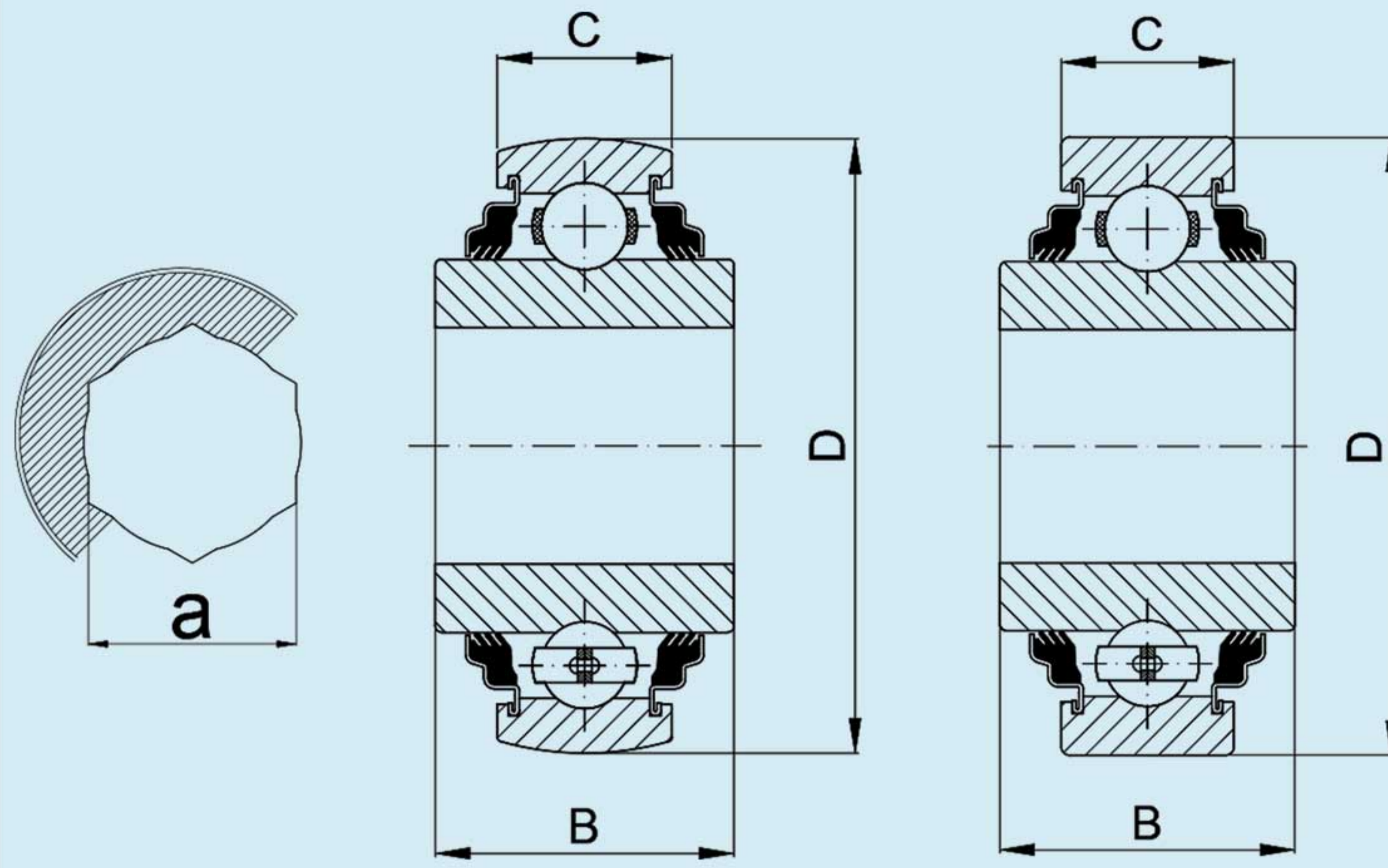


• 2..-KRR

Z&S	d	D	B	C
204KRR	20	47	17,7	14
205KRR	25	52	21	15
207KRR	35	72	25	17
208KRR	40	80	27	18
209KRR	45	85	30	19
210KRR	50	90	30	20

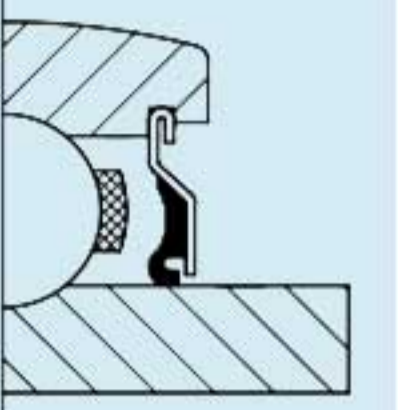
Z&S	INTERCHANGE
2..-KRR	2..-KRR (INA-FAG)

# • Insert ball bearings

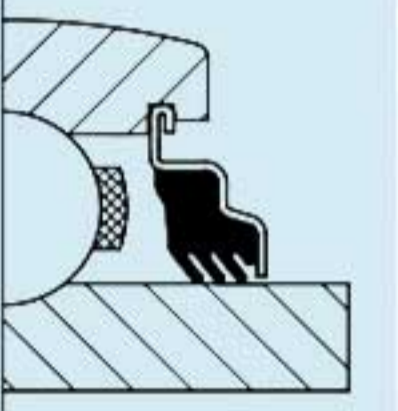


Type of seals:

1L



3L



• Insert ball bearing, Hexagonal bore... (SK... (INA-FAG), YHC... (SKF))

Z&S	d	D	C	B	Dwg. No.
204KRRB2	17,462	47	14	21	1
204KRR2		47	14	21	2
205KRRB2	22,225	52	15	25,4	1
205KRR2		52	15	25,4	2
206KRRB6	25,4	62	16	24	1
206KRR6		62	16	24	2
207KRRB12	28,6	72	17	25	1
207KRRB9		72	17	37,7	1
208KPPB52		80	18	28	1
207KPPB3	31,75	72	17	25	1
207KPPB3-B		72	17	37,7	1
207KPP3		72	17	37,7	2
W208PPB16		80	18	36,5	1
W208KRR8		80	18	36,5	2
210PP7		90	22	36,5	2
W208KRRB6		34,95	80	21	36,5
209KRRB2	38,1	85	19	30	1
210RRB6		90	22	30	1