



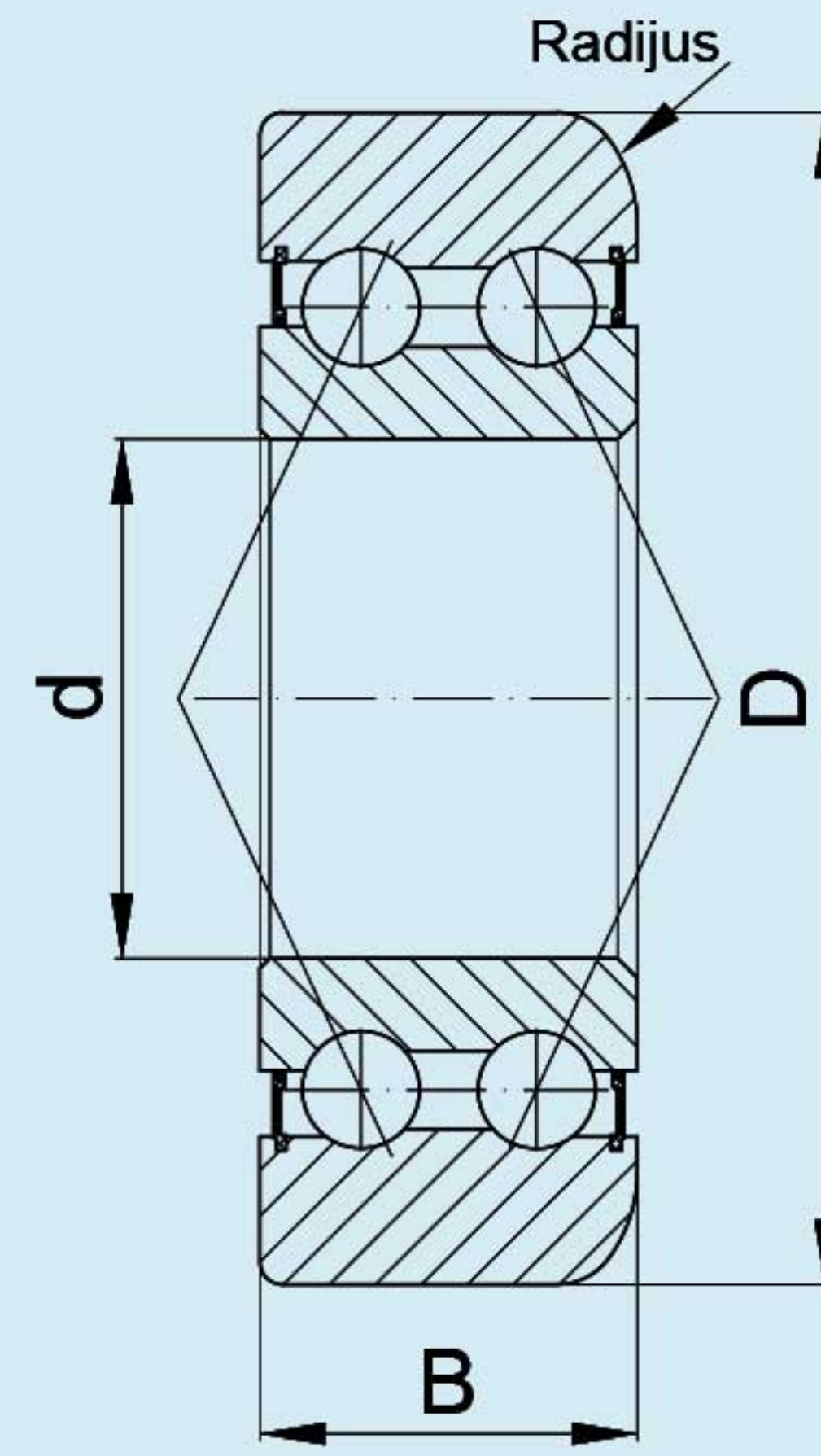
Zivko & Sinovi

TEMERIN - SERBIA

Forklift bearings



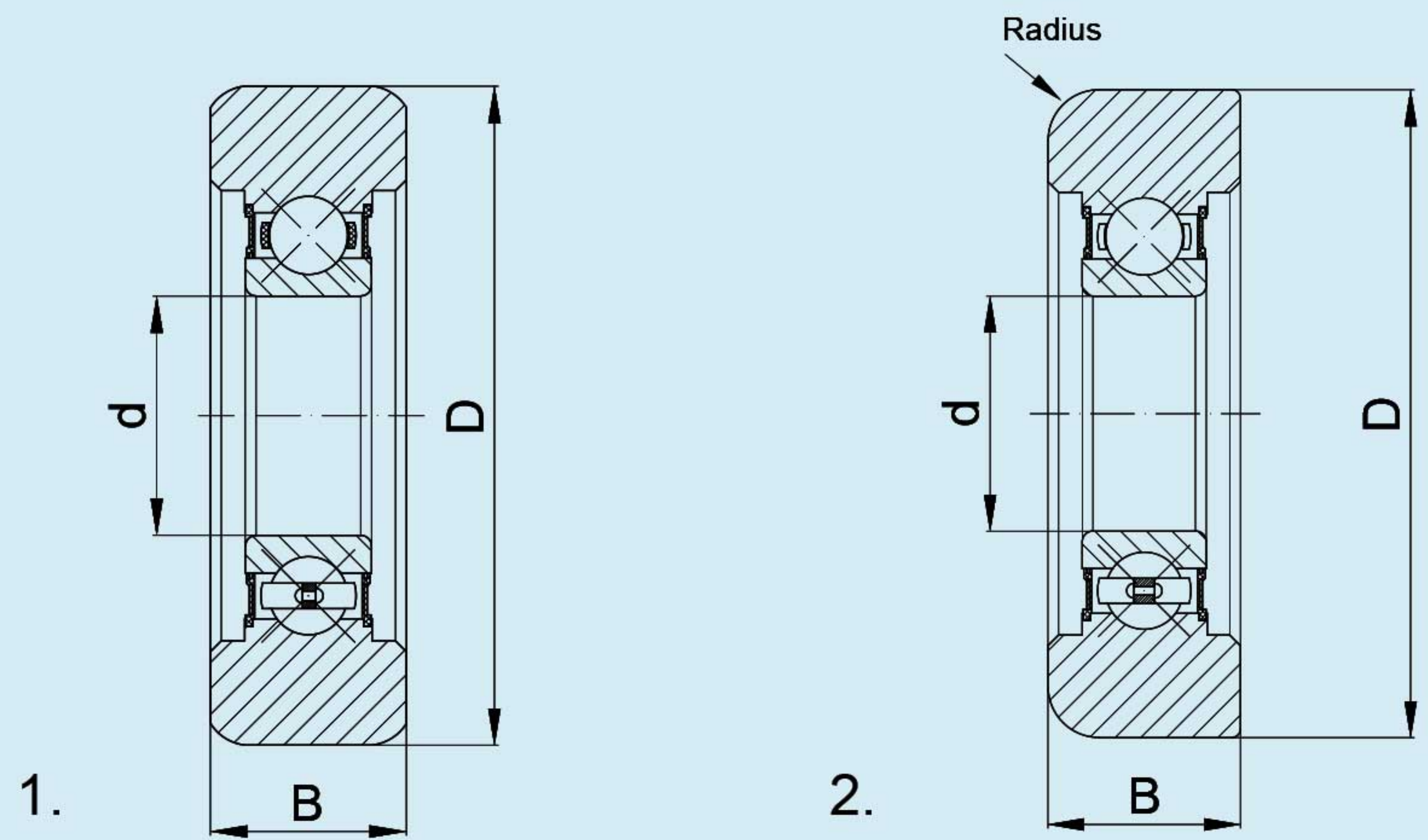
• Forklift bearings



• Track rollers with balls

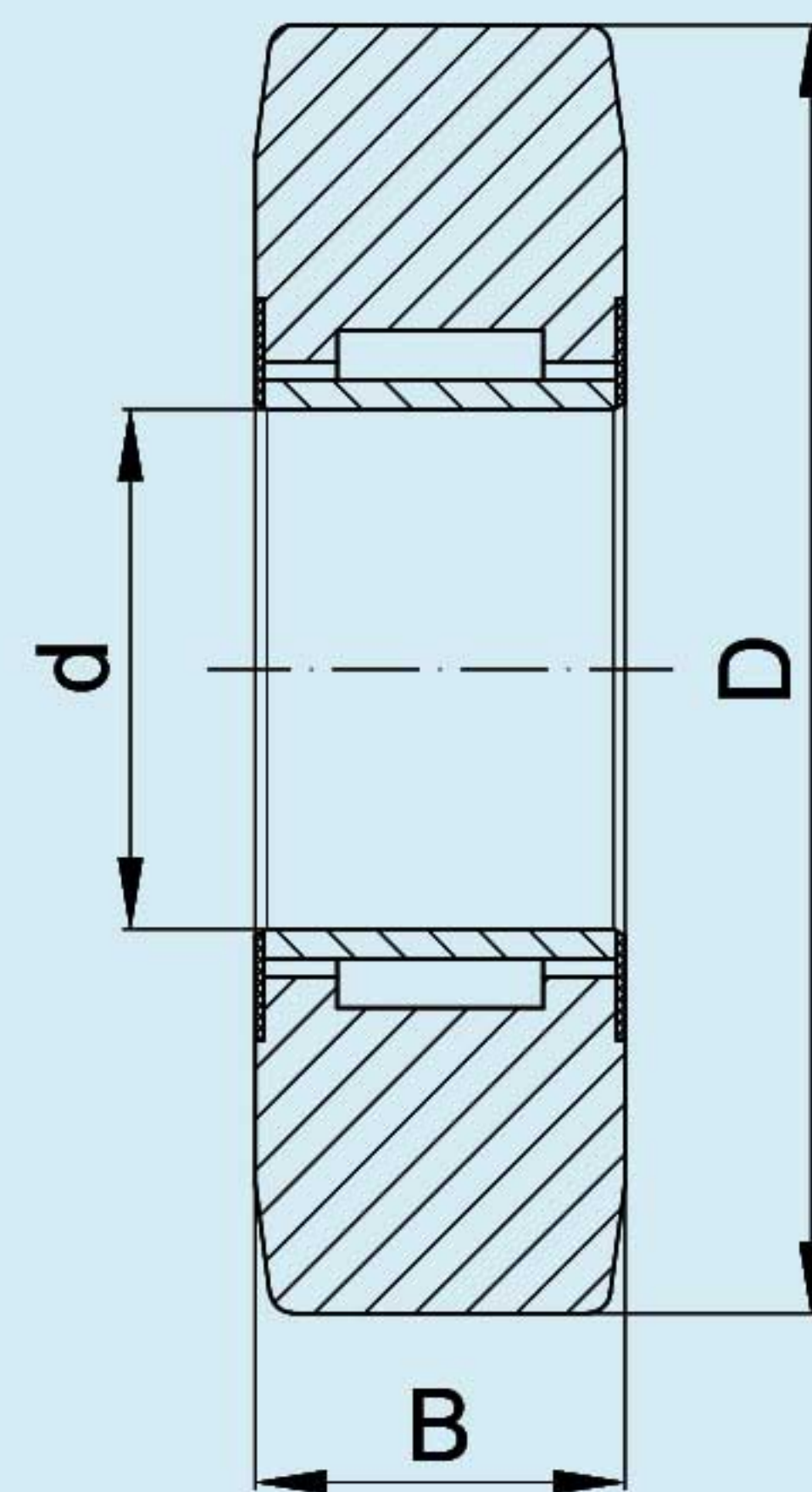
Z&S	OEM	d	D	B	Use
000 924 9533	000 924 9533	30	75,3	24	Linde
000 924 9534	000 924 9534		75,6	24	Linde
000 924 9535	000 924 9535		75,9	24	Linde
000 924 9504	000 924 9504	35	80,9	26	Linde
000 924 9505	000 924 9505		81,2	26	Linde
000 924 9506	000 924 9506		81,5	26	Linde
000 924 9475	000 924 9475	40	89,9	29	Linde
000 924 9476	000 924 9476		90,2	29	Linde
000 924 9477	000 924 9477		90,5	29	Linde
000 924 9321	000 924 9321		90,8	29	Linde
000 924 9480	000 924 9480	45	105,4	34	Linde
000 924 9481	000 924 9481		105,8	34	Linde
000 924 9482	000 924 9482		106,1	34	Linde

• Forklift bearings



• Deep groove ball bearings with contact in 4 spot

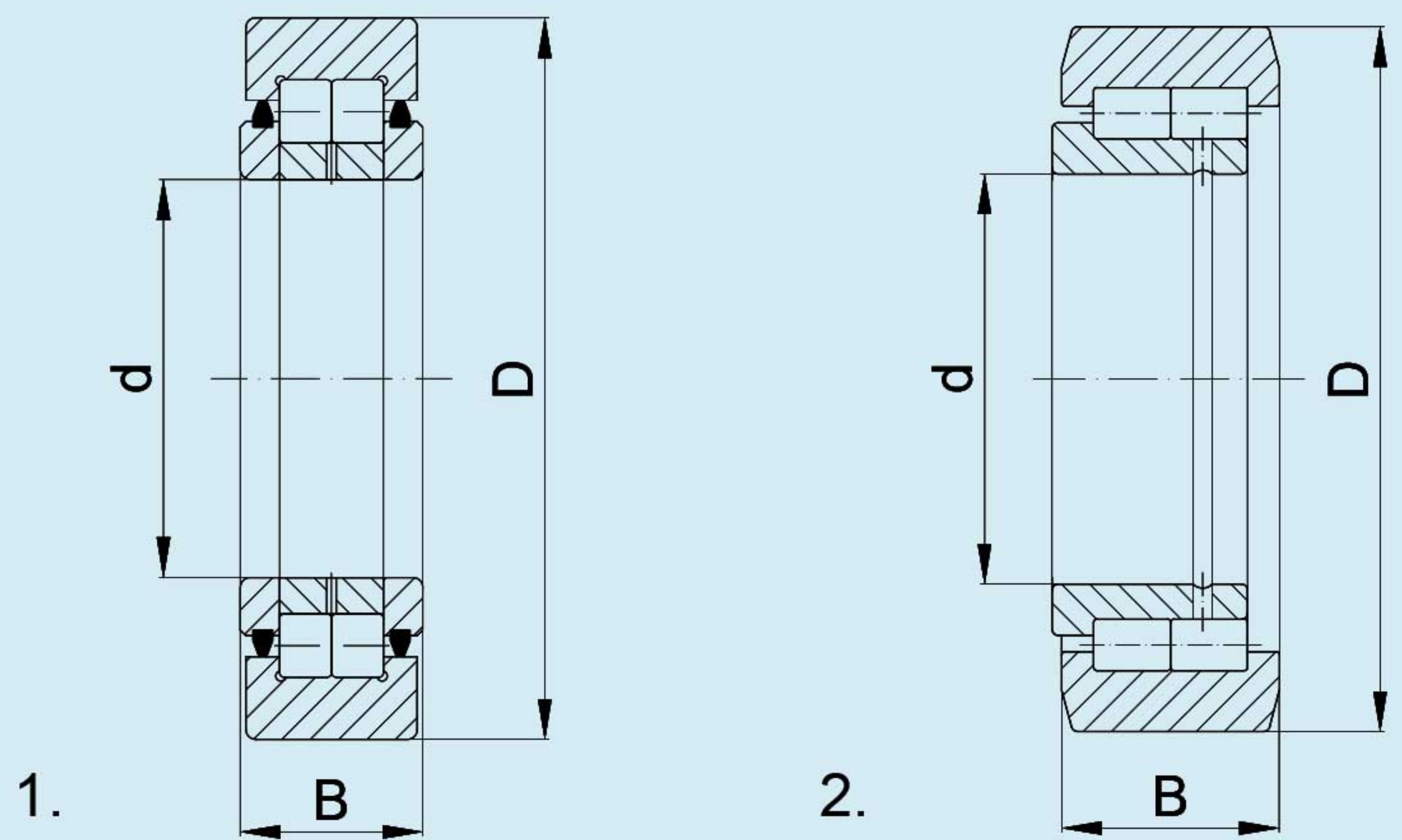
Z&S	OEM	d	D	B	C	Dwg. No.	Use
23658-33001	23658-33001	40	109,7	23	32	1	
MG45A4-2	MG45A4-2	45	101,2	19	28,3	2	
22658-22101	22658-22101	55	151,5	29	45	2	



- Track rollers, cylindrical roller

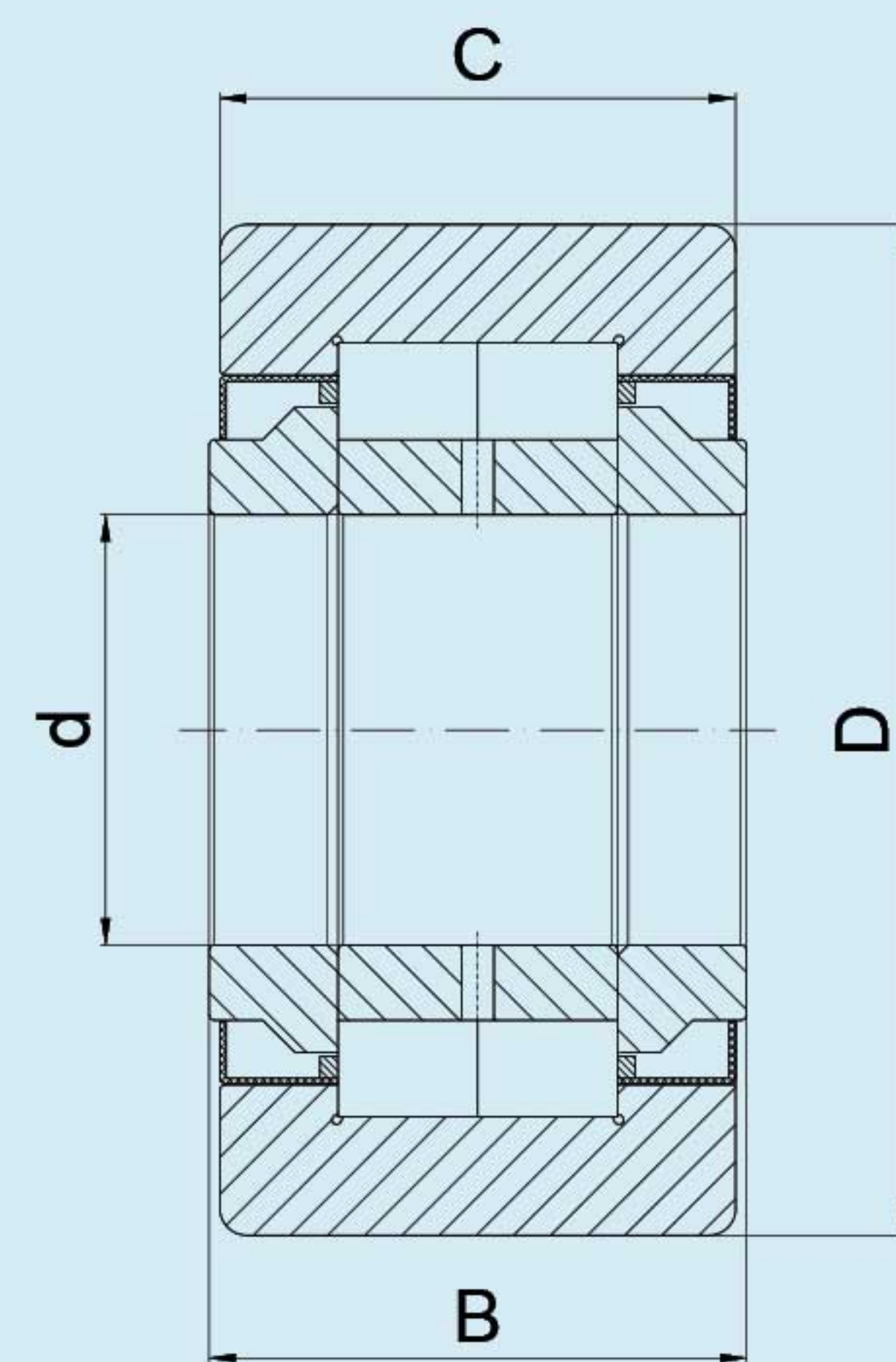
Z&S	OEM	d	D	B	Use
000 993 3668	000 993 3668	45	115	32	Linde

• Forklift bearings



• Cylindrical-roller bearing, double row

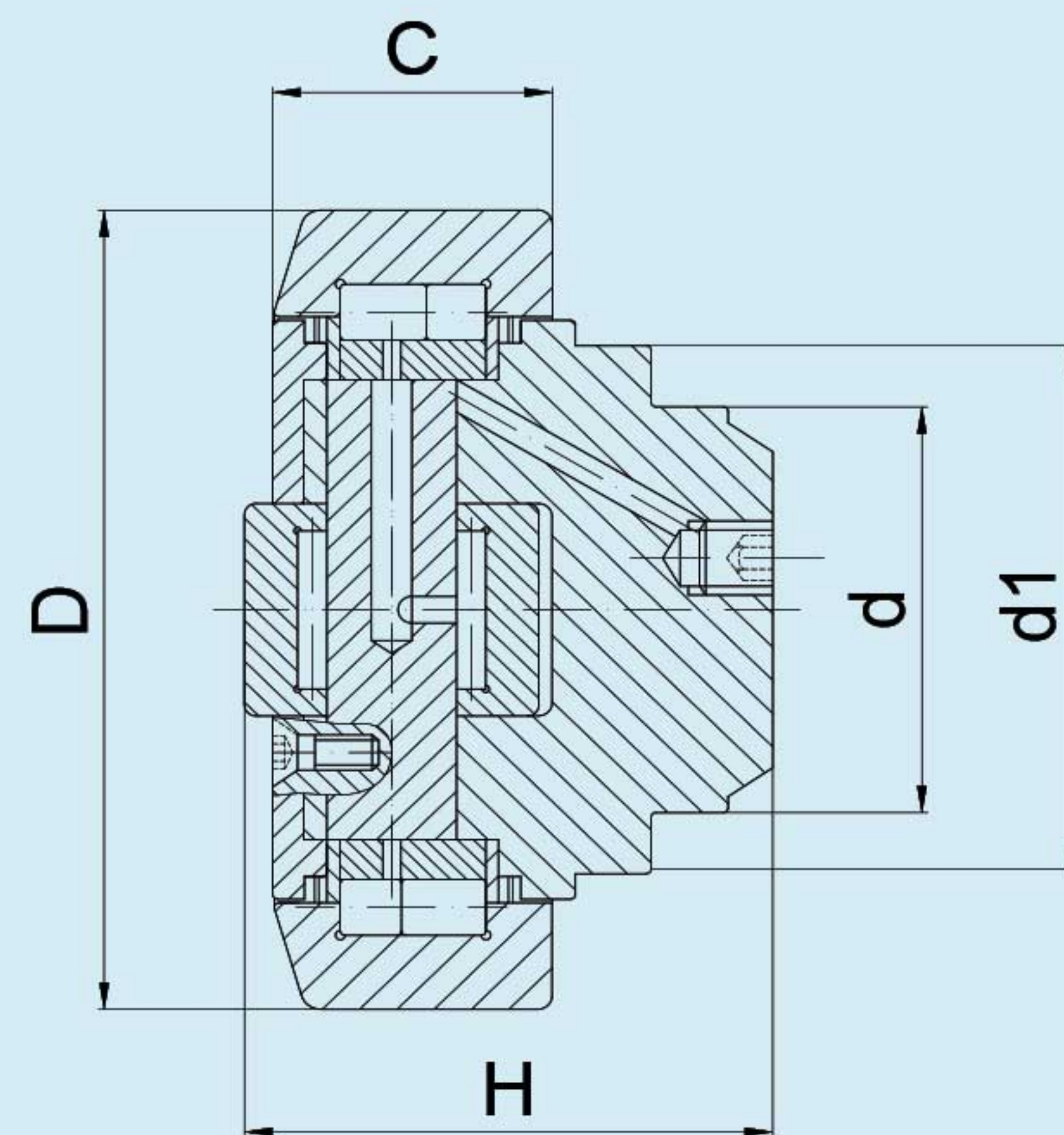
Z&S	OEM	d	D	B	Dwg. No.	Use
CVL 65/107V	CVL 65/107V	65	107	32	1	Litostroj
759039	759039	65	110,5	35	2	Pobeda
CVL 70/122V	CVL 70/122V	70	122	32	1	Litostroj
CVL 95/188	CVL 95/188	95	188	50	1	Balkancar



• Track rollers, cylindrical roller

Z&S	OEM	d	D	B	C	Use
NUTR 20	NUTR 20	20	47	25	24	
NUTR 30	NUTR 30	30	62	29	28	
NUTR 3072	NUTR 3072		72	29	28	
NUTR 4090	NUTR 4090	40	90	32	30	

• Forklift bearings



- Combined double row cylindrical roller bearing with fixed axial needle bearing

Z&S	OEM 1	OEM 2	D	d	d1	C	H	Use
MR.021	4.054	4.0054-62	62,5	30	42	20	37,5	
MR.022	4.055	4.0055-70	70,1	35	48	23	44	
MR.023	4.056	4.0056-78	77,7	40	54	23	48	
7.3.165	7.3.165		79,3	40	57	26,5	47,5	
MR.025	4.058	4.0058-88	88,4	45	59	30	57	
7.3.168	7.3.168		90	45	59	30	57	
MR.027	4.061	4.0061-108	107,7	60	71	31	69	
MR.029	4.062	4.0062-123	123	60	80	37	72,3	
MR.030	4.063	4.0063-149	149	60	103	45	78,5	