



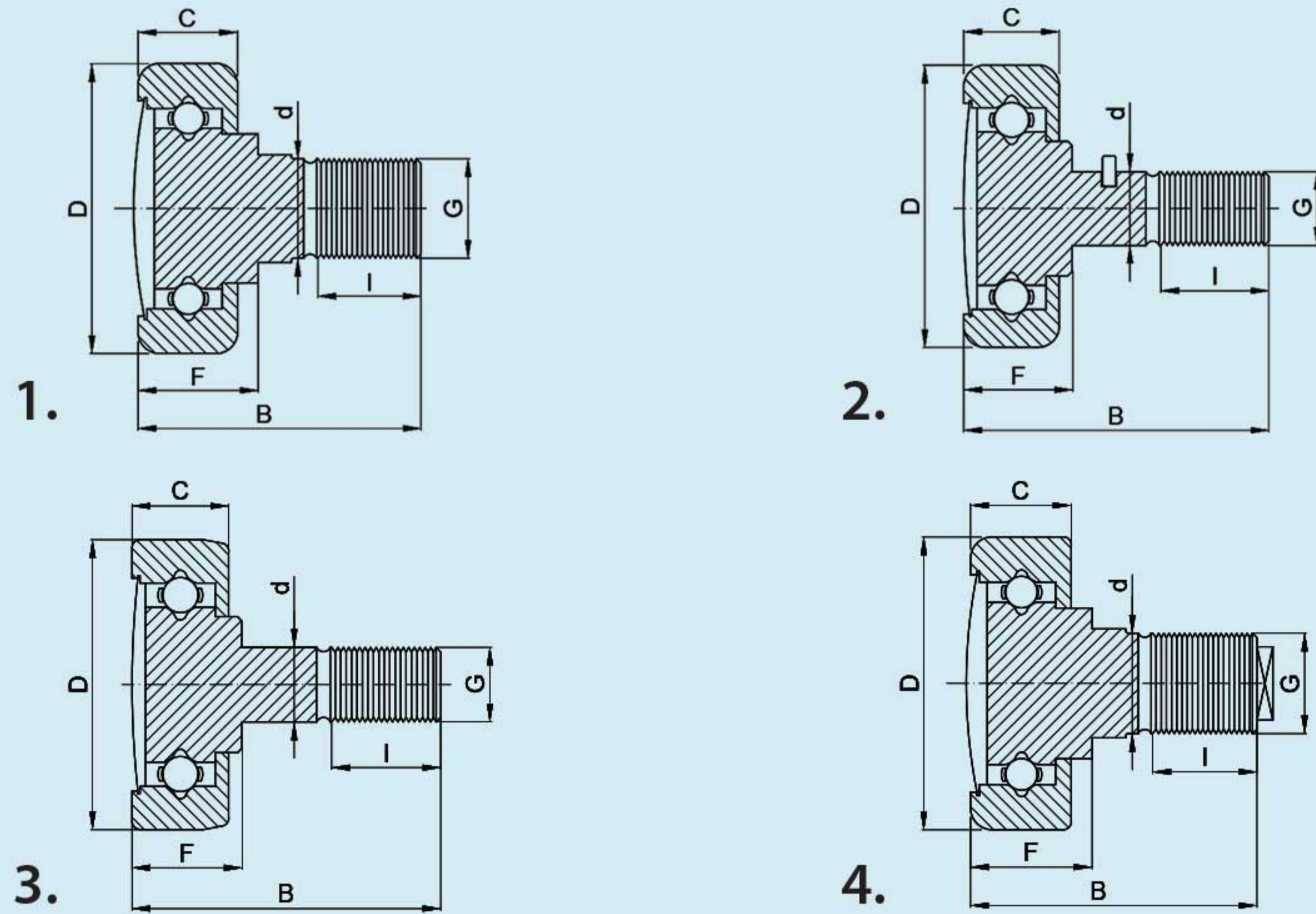
Zivko & Sinovi

TEMERIN - SERBIA

Bearings for balers



• Baler bearings

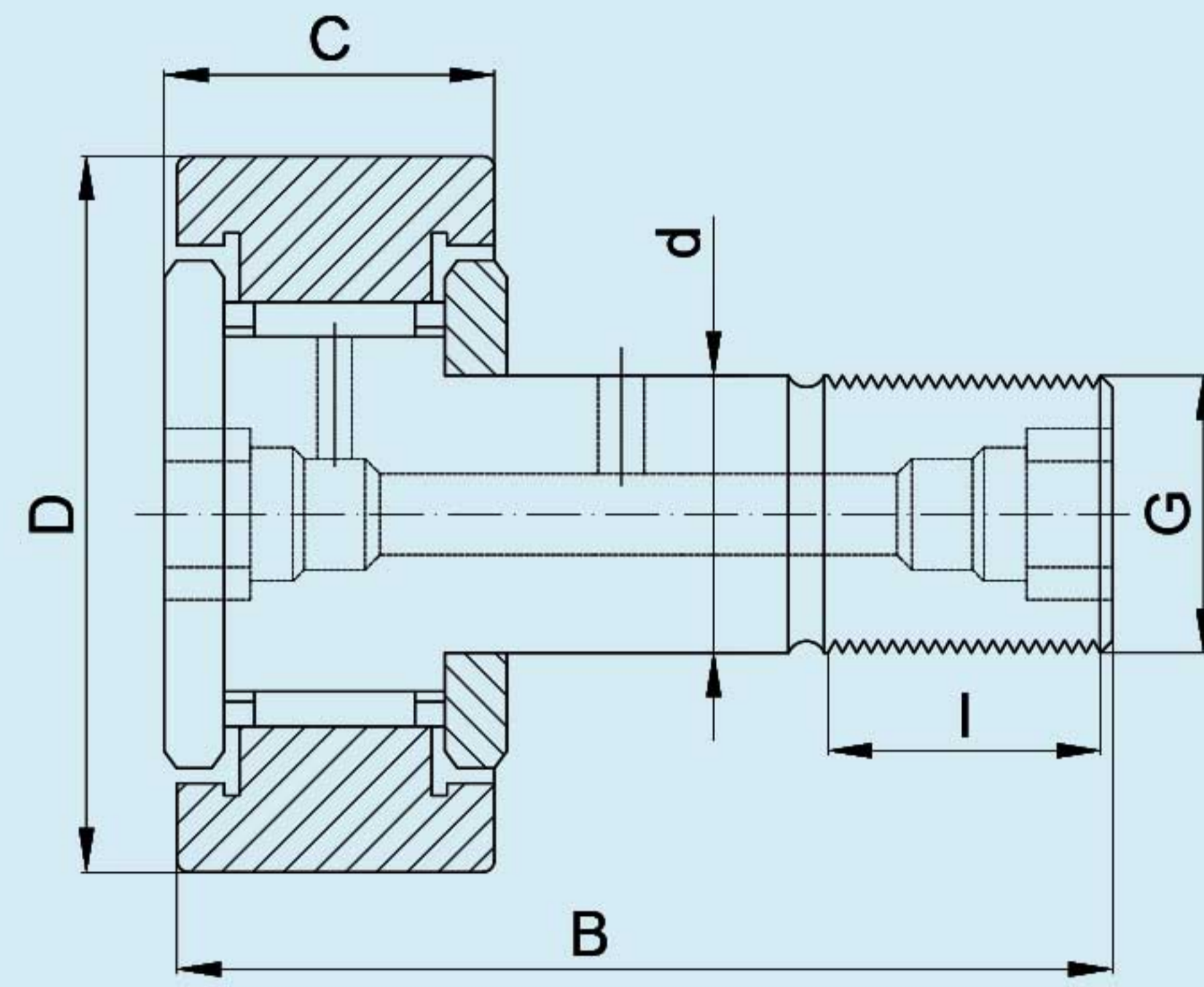


• Ball bearings with axle

Z&S	D	d	B	C	I	F	G	Dwg. No.
TM 011	52	18	59,5	31	27	32	M16 x 1,5	3
TM 003	55	18	65	22,2	24	23,5	M18 x 1,5	2
TM 012	60,5	18	66	23	27	26,5	M16 x 1,5	4
TM 010	63,5	18	57	22,5	27	28	M18 x 1,5	2
TM 002		18	64,8	22,5	27	26,5	M18 x 1,5	1
TM 002-L		18	64,8	22,5	27	28	M18 x 1,5	1
TM 013		18	66	23	27	26,5	M16 x 1,5	4
TM 001	65	18	61,8	23	27	25	M18 x 1,5	1

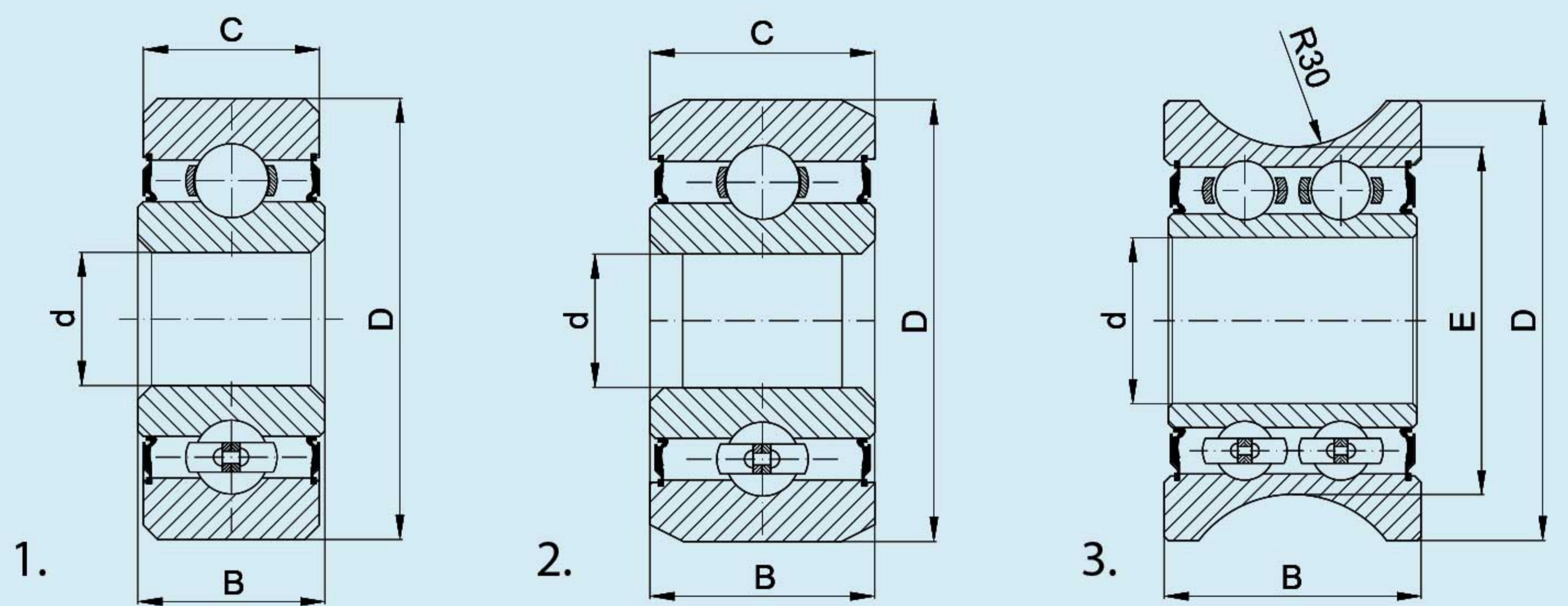
Z&S	OEM			
TM 011	DEUTZ-FAHR 0.8700.201.173.42		KÖLA	
TM 003	RIVIERRE CASALIS			
TM 012	BAMFORDS BS 6210		JONES BALERS	
TM 010	GALLIGNANI 00.70.501, 00.70.506			
TM 002	NEW HOLLAND 44457, 6901-P	JOHN DEERE AE 20220, AE 30220	SGORBATI 44457, 1111/3515	AMA OVR1663
TM 002-L	NEW HOLLAND 535664			
TM 013	BAMFORDS BS 6210		JONES BALERS	
TM 001	WELGER 0924.50.04.00, 1121.16.05.00, 1121.16.05.01			

• Baler bearings



- Cylindrical roller with axle

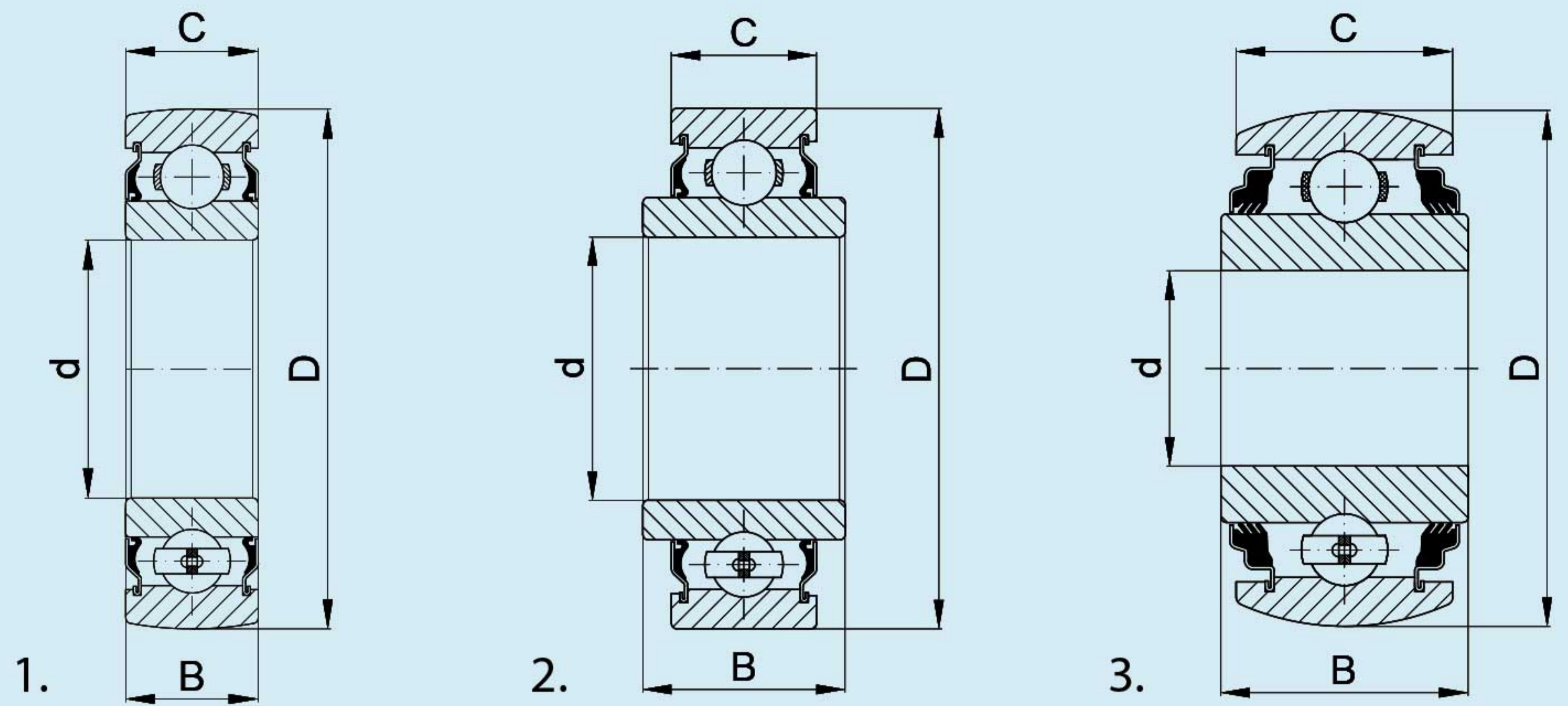
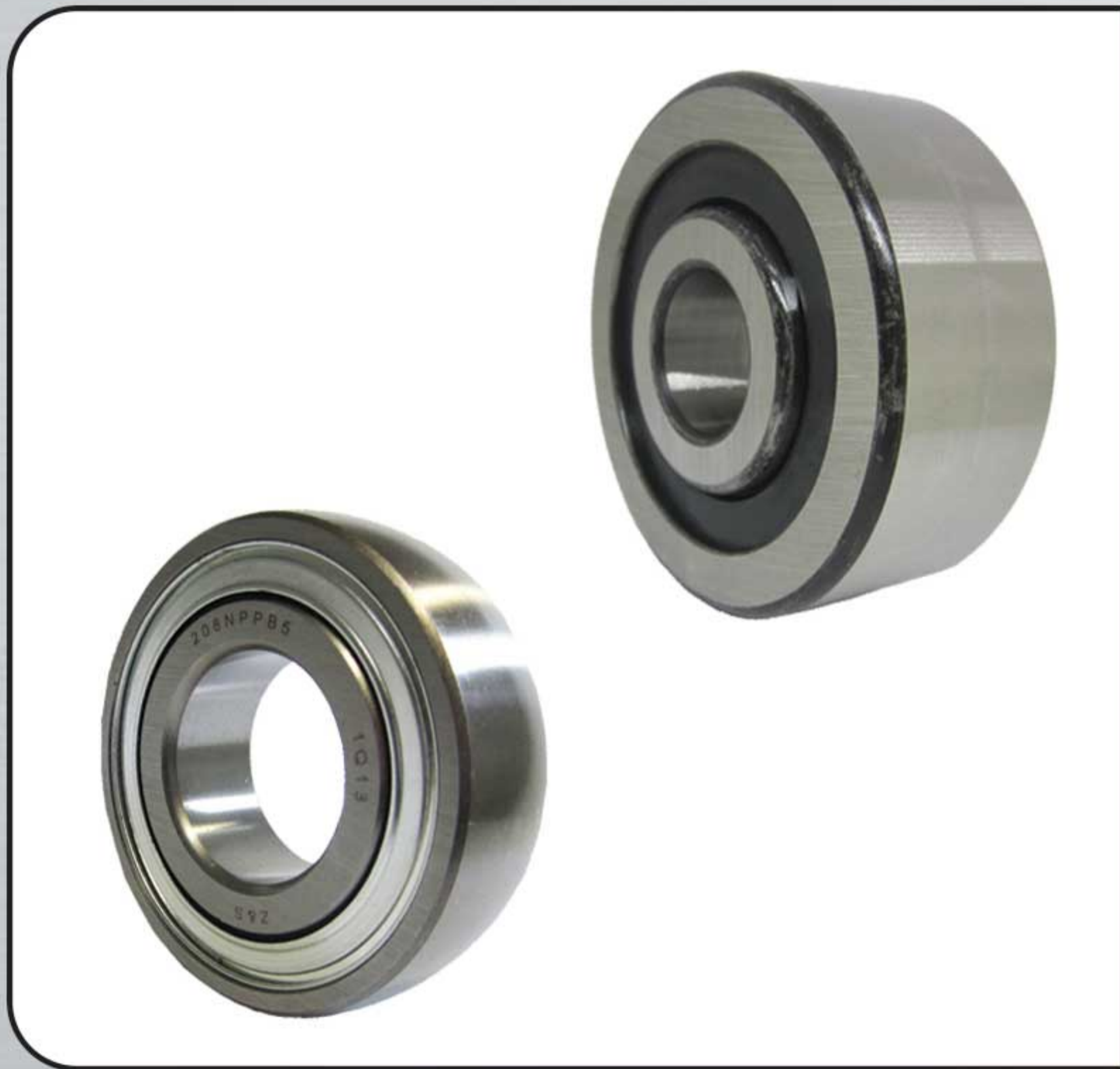
Z&S	D	d	B	C	I	G
KR 19 PPX	19	8	32	11	10	M8 X 1.25



• Track rollers with balls

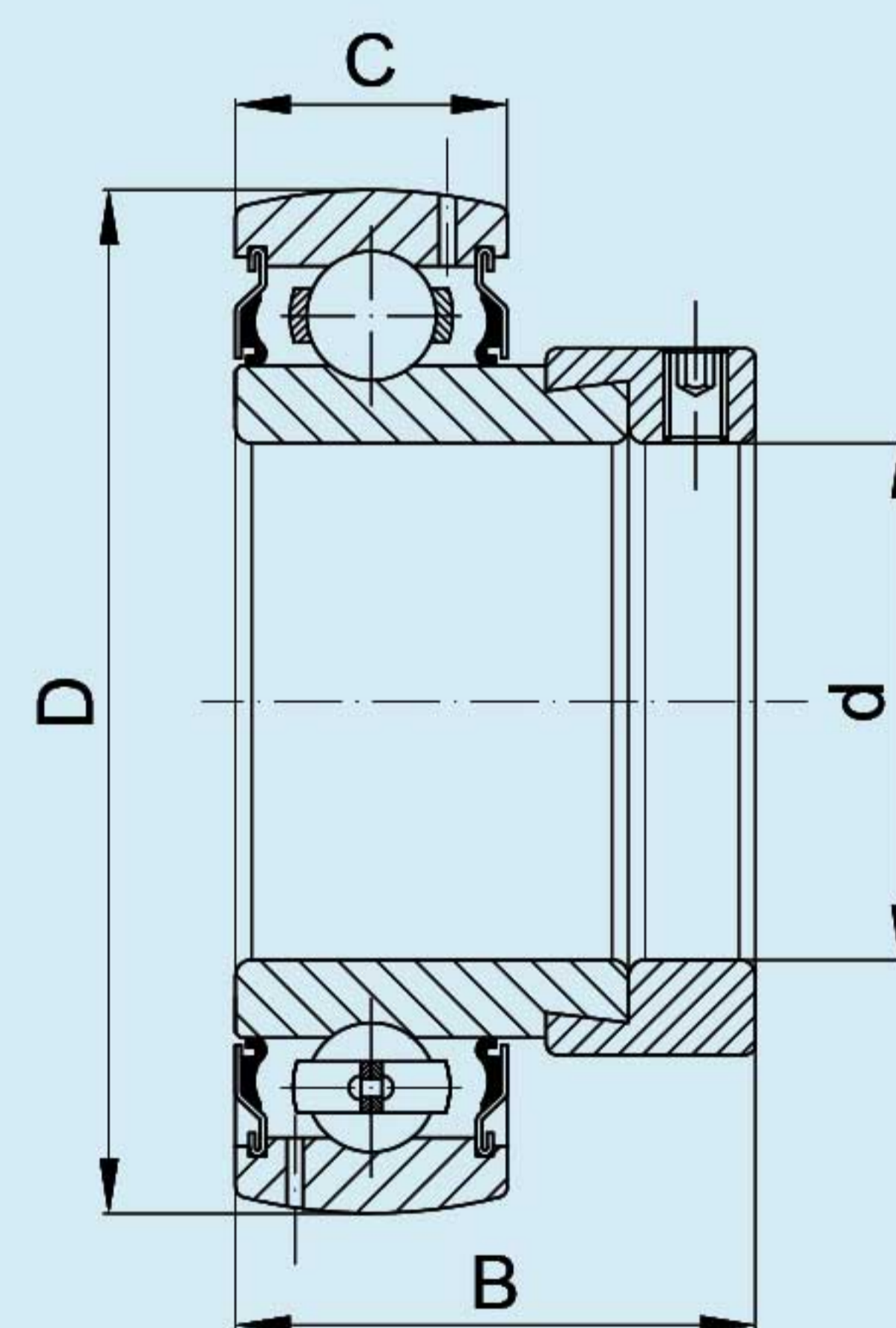
Z&S	d	D	B	C	Dwg. No.	OEM
TM 006	20	52	30	30	2	CLAAS
TM 004		54	22	22	1	CLAAS
TM 005		54	30	30	2	WELGER 0924.50.91.00, 1115.16.04.01
TM 007		63	30	E=52	3	WELGER 0924.50.27.00, 1109.17.02.01

• Baler bearings



- Insert ball bearing, round bore - special

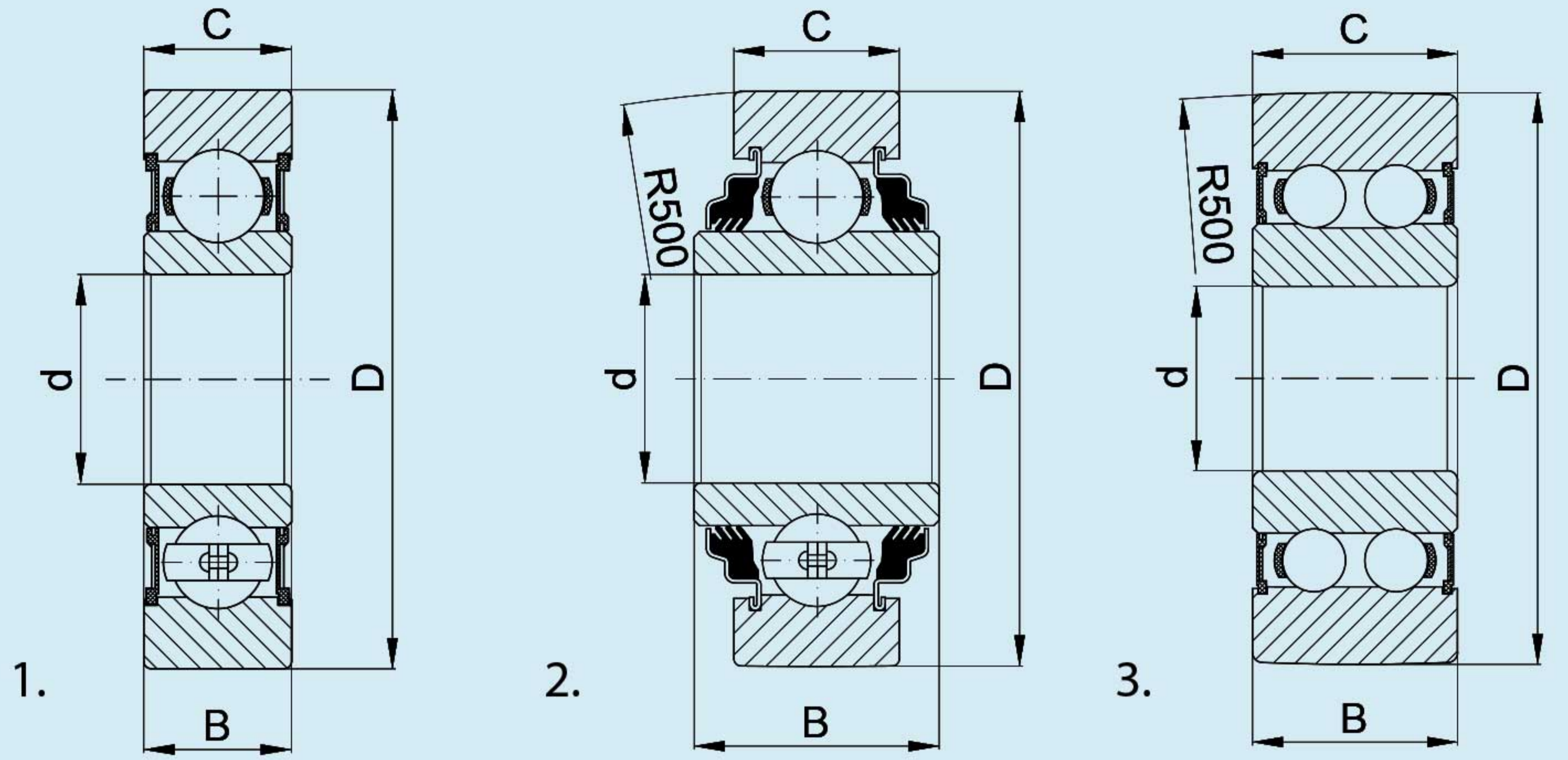
Z&S	d	D	B	C	Dwg. No.	OEM	
203KRR3	15,95	50,8	15	15	1	JOHN DEERE JD8646, AE14807	NEW HOLLAND 165484
205KYY3	19,05	63,5	26,99	25,4	2	JOHN DEERE JD8680, AE25395	
208NPPB5	36,513	80	22	22	1	JOHN DEERE JD9421	NEW HOLLAND 66263
W209PPB2 C4	44,958	85	30,175	30,175	3	NEW HOLLAND 276882	FORD 7200460
209KRR	45	85	30	19	2		



• Insert ball bearing, SA ..(YET...RAE... GRAE.... UY..)

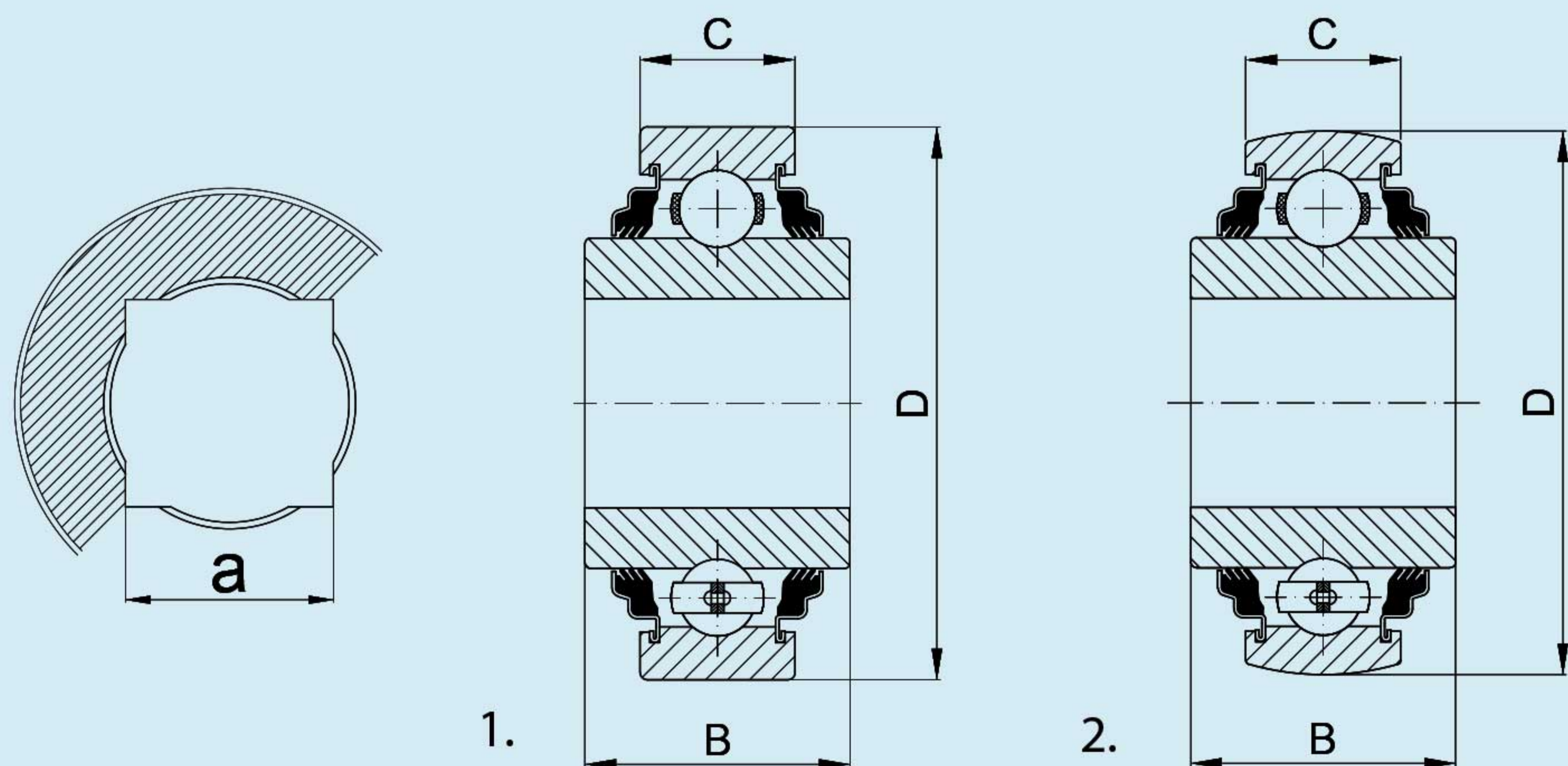
Z&S	d	D	B	C	OEM		
UY 205-014 2S	22,225	52	31	15			
UY 206-102 2S	28,575	62	36	18	JOHN DEERE AE29749, JD8552	CASE 939475R92	M. FERGUSON 353161X1
UY 208-108 2S	38,1	80	44	21	JOHN DEERE AE32884, JD10020, JD9201, JD9202, JD9276	CASE 454113R91, 664073R92, H754788, 663560R91	M. FERGUSON 833416M1, 834204M1, 22521V, 832122M1

• Baler bearings



- Track rollers with balls

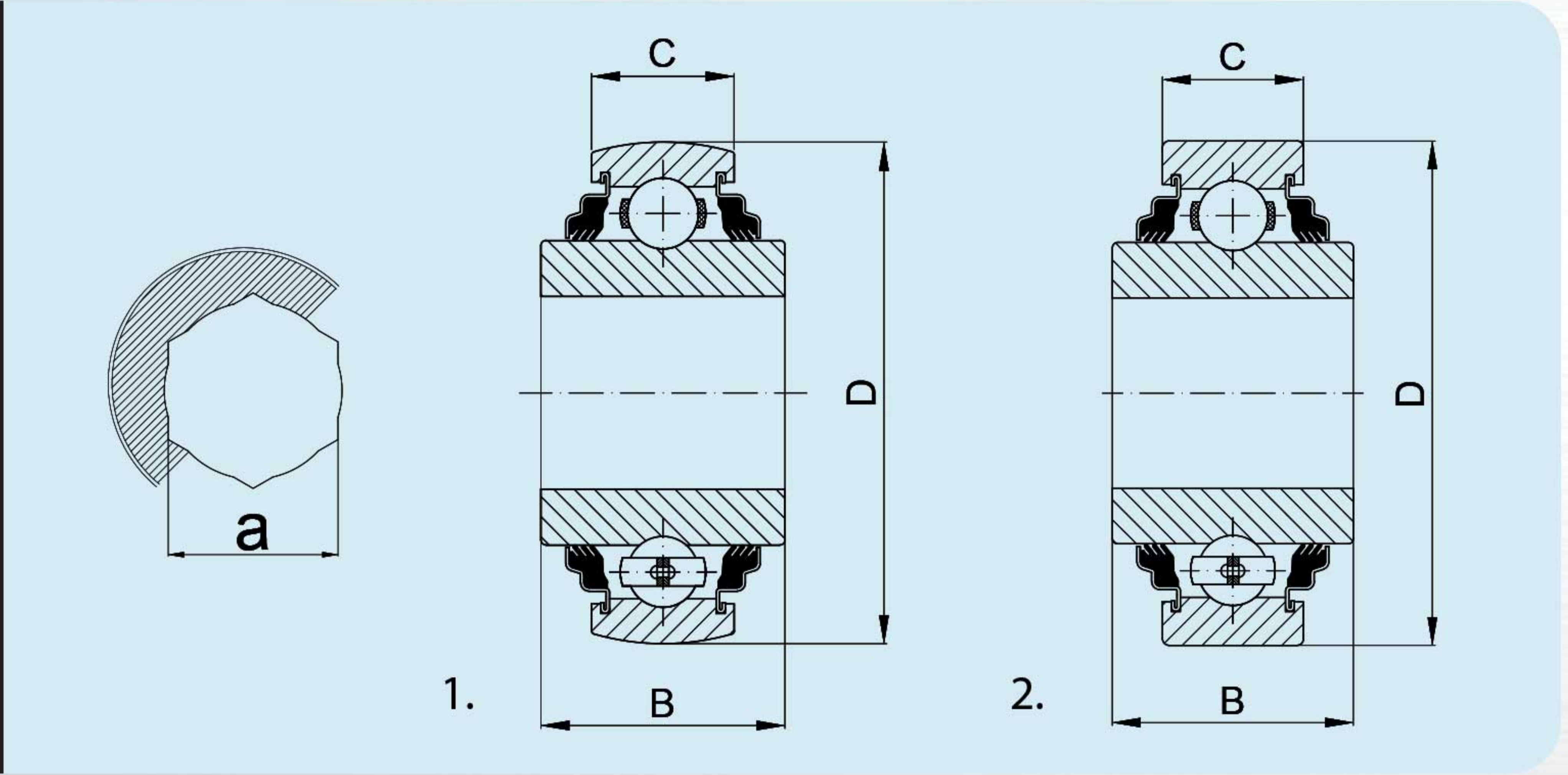
Z&S	d	D	B	C	Dwg. No.	OEM
LR 201 NPP	12	35	10	10	1	SKF 361201R
LR 201 RRU		35	15	10	2	CLAAS 0008050921, 0008050930, 805092, 805093, 805093/92 FAG 513495
AG211368		35	15	15	3	CLAAS 211368, 000211368, 211368.0, 000211368.0, 21136801, 021136801, 213919.0, 000213919.0, 213919.1, 000213919.1, LR5201KDD



• Insert ball bearing, square bore

Z&S	a	D	B	C	Dwg. No.	OEM
W210PP4	28,575	90	30,175	30,175	1	BCA DC210TT4 NTN 7AS10-1-1/8 LINK B. 18SB3-210E3
W208PPB5	30,175	80	36,5	18	2	BCA DS208TT5 NTN 1AS08-1-1/8 FAFNIR W208PPB5 LINK B. 18S5-2E08E3

• Baler bearings

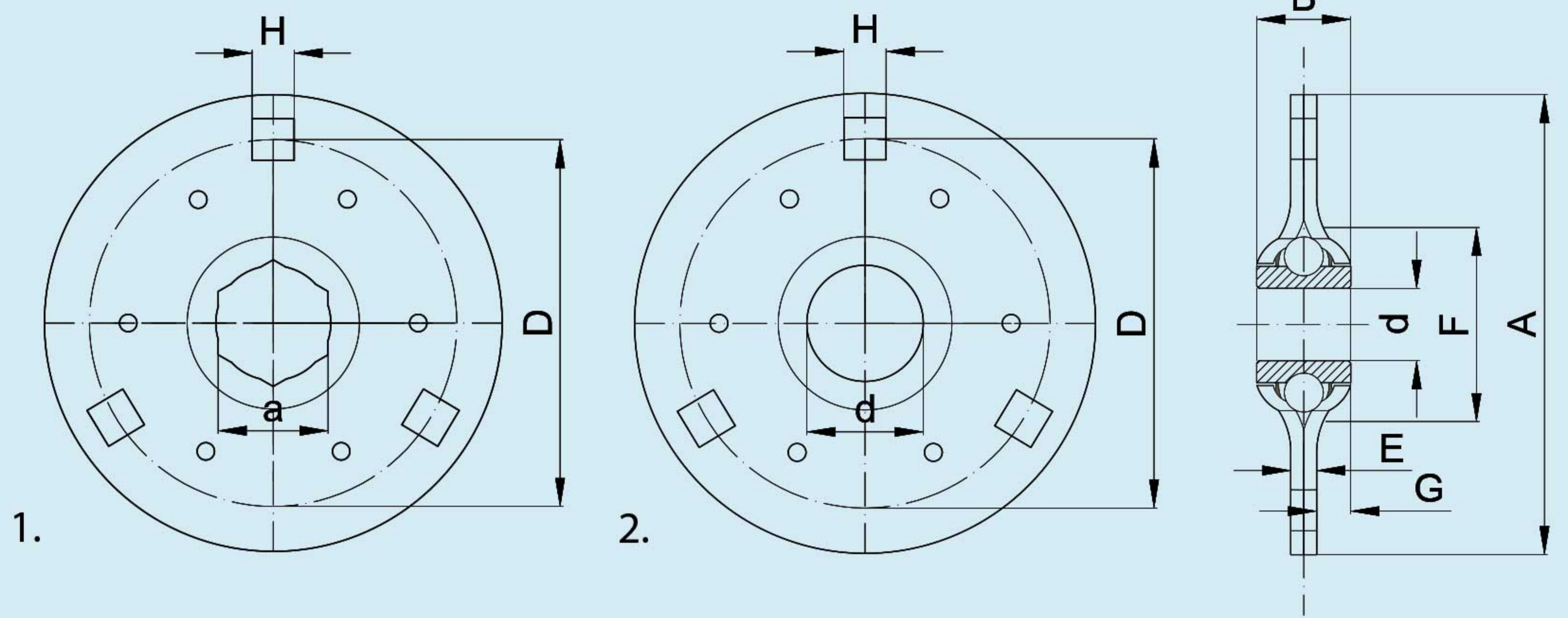


• Insert ball bearing, hexagonal bore

Z&S	a	D	B	C	Dwg. No.
205KRRB2	22,225	52	25,4	15	1
205KRR2		52	25,4	15	2
206KRRB6	25,4	62	24	16	1
206KRR6		62	24	16	2
207KRRB12	28,6	72	25	17	1
207KPPB3	31,75	72	25	17	1
W208KRR8		80	36,5	18	2
210PP7		90	36,5	22	2
209KRRB2	38,1	85	30	19	1
210RRB6		90	30	22	1

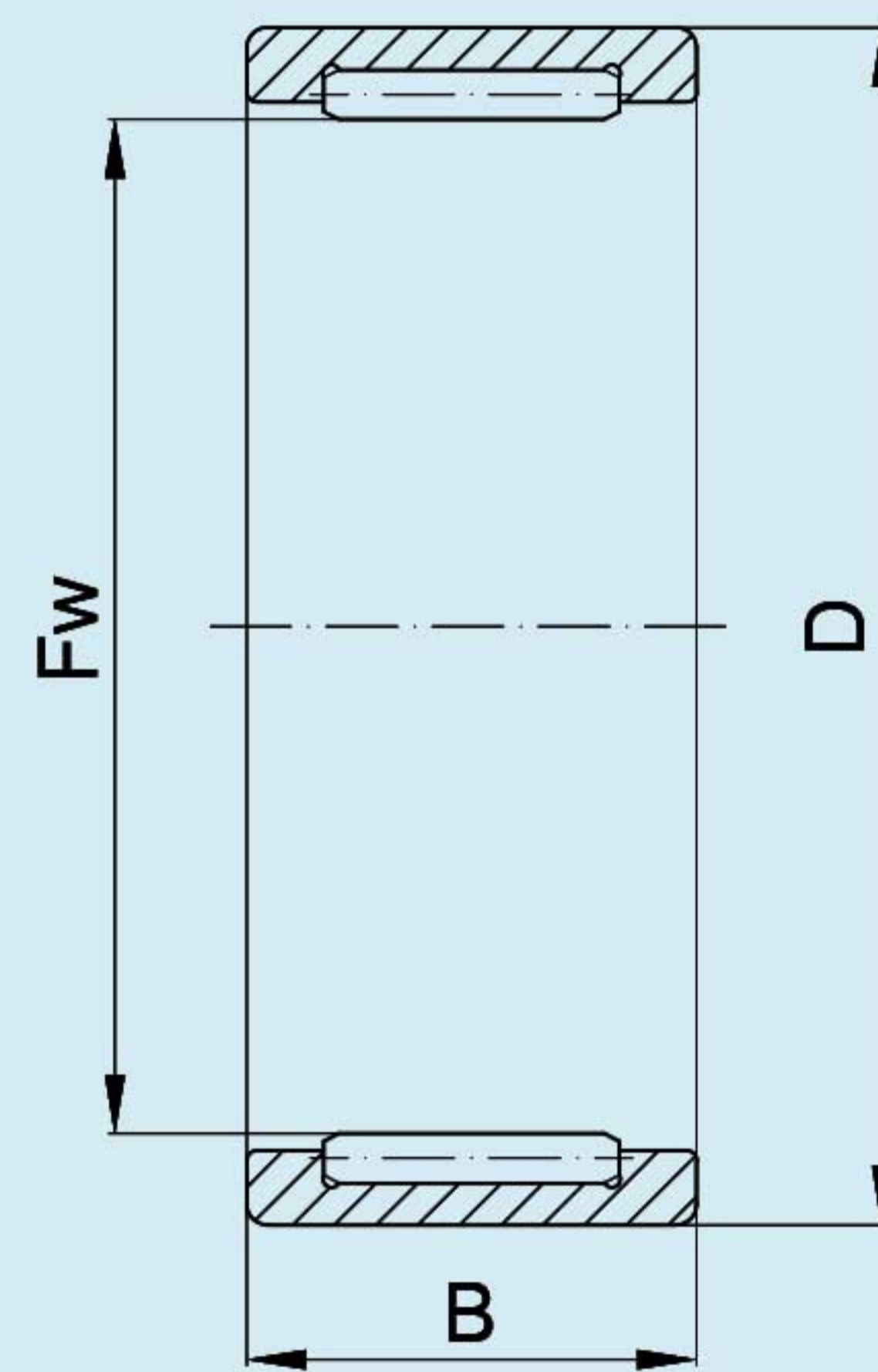
Z&S	OEM			
205KRRB2	JOHN DEERE AA22097, JD9260			
205KRR2	JOHN DEERE AA28271, AE29876			
206KRRB6	INA SK100-206-KRR-B BCA HPS100GP	JOHN DEERE JD9313, JD9332, A100348, AE28843	CASE 211587C91 NEW HOLLAND 135241	HESSTON 7714603
206KRR6	BCA HPC100GP NTN 1AH06-1	JOHN DEERE JD9338, AH210539	NEW HOLLAND 135423	CASE 87746596
207KRRB12	BCA HPS102GPE	JOHN DERE AN102010	HEW HOLLAND 84330069	CASE 156816C91
207KPPB3	BCA HPS102GP3 FAFNIR 207KRRB17	JOHN DEERE AE29785, JD9420		
W208KRR8	BCA HPC104TPA FAFNIR W208PP21	JOHN DEERE AE46606		
209KRRB2	BCA HPS108GPH	JOHN DEERE AE40895	NEW HOLLAND 286909	CASE 179665C91
210PP7	BCA HPC103TPA	JOHN DEERE AE53290		
210RRB6	BCA HPS108GPB	JOHN DEERE AE42880		

• Baler bearings



- Bearing in steel pressed housing

Z&S	a/d	D	B	A	H	G	E	Dwg. No.
AE28843	25,4	90,48	23	112,71	10,31	7,93	6,35	1
AG1102-B	28,575	90,48	23	112,71	10,31	7,93	6,35	2



• Drawn cup needle roller bearing

Z&S	Fw	D	B
SCE 108	15,875	20,638	12,7
HK 3016	30	37	16